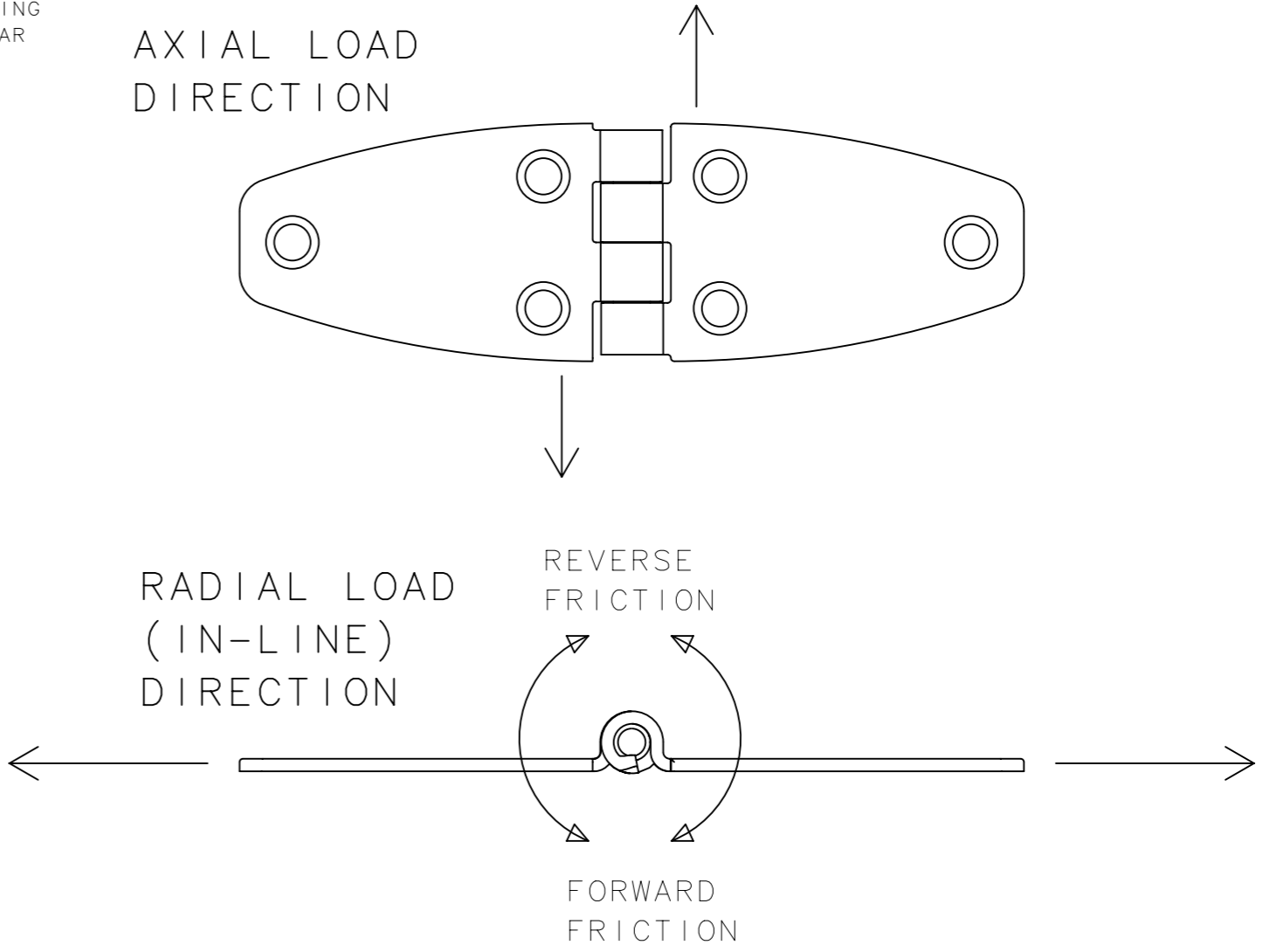
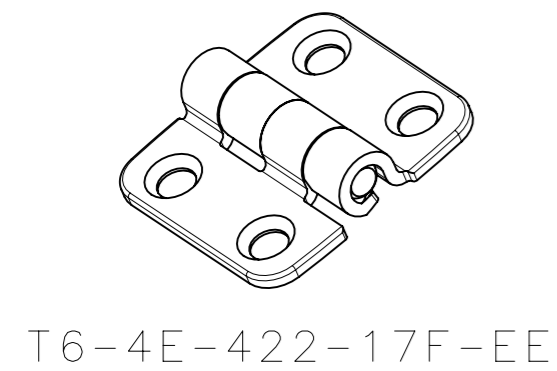
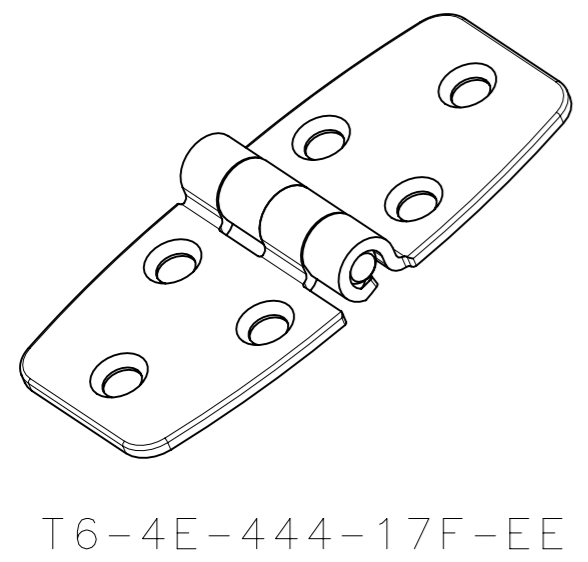
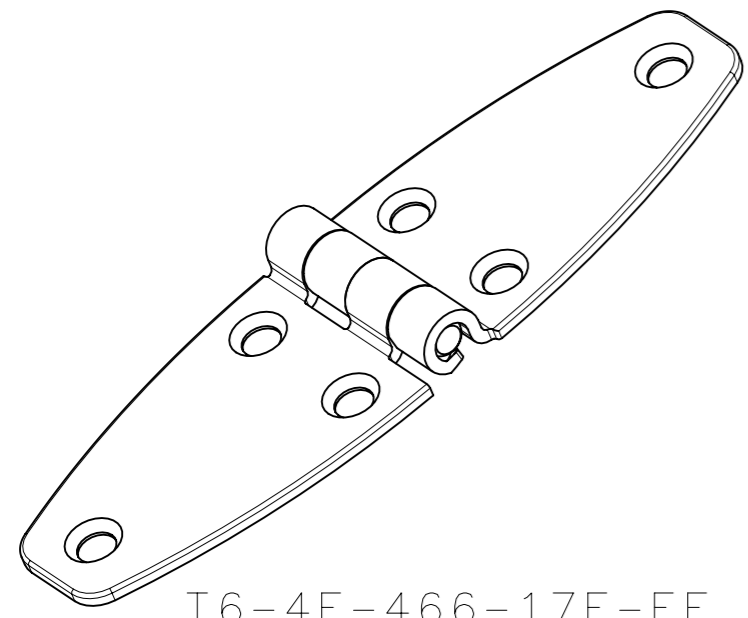


REVISION HISTORY			
REV	DATE	BY	DESCRIPTION
A	05JUN2025	IR/DMS	PRN: P2025-0734

SOUTHCO PERFORMANCE GUIDELINES
 THE PERFORMANCE GUIDELINES SHOWN ON THIS PAGE ARE SUPPLIED AS A GENERAL GUIDE ONLY, AS CONDITIONS VARY WITH EACH APPLICATION AND METHOD OF INSTALLATION. STRENGTH DATA GIVEN IS FOR FAILURE OF THE PRODUCT OR FOR SUFFICIENT DEFORMATION TO MAKE PRODUCT INOPERABLE. NO SAFETY FACTOR HAS BEEN APPLIED IT IS RECOMMENDED THAT THE USER REQUEST A PRODUCT SAMPLE FOR TESTING TO DETERMINE THE SUITABILITY OF THE PRODUCT FOR THE PURPOSE INTENDED AND USER'S PARTICULAR APPLICATION.



- NOTES:
- ONE CYCLE = CLOSED POSITION TO OPEN POSITION AT 180° PLUS RETURN TO INITIAL CLOSED POSITION.
 - HINGE ASSEMBLIES MAINTAIN 0.3 Nm FRICTION MIN AFTER 20,000 CYCLES.
 - CYCLE TESTING WAS CONDUCTED USING THE FOLLOWING PROFILE:
 - 20,000 CYCLES AT AMBIENT
 VERTICAL CYCLE TEST CONDUCTED USING A 4.3 kg (9.48 lbf) TEST DISPLAY PANEL.
 - FOR TEST REPORT SEE trT6-1162604-1A, trT6-1162604-2A, trT6-1162604-3.

PART NUMBER	FORWARD FRICTION Nm (in-lbf)	REVERSE FRICTION Nm (in-lbf)	MAX STATIC LOAD, AXIAL N (LBF)	MAX STATIC LOAD RADIAL N (LBF)	CYCLE LIFE
T6-4E-4XY-17F-EE	0.5 (4.4) MIN	0.5 (4.4) MIN	534 N(120 lbf)	534 N(120 lbf)	20,000

THIRD ANGLE PROJECTION		southco [®] CONNECT • CREATE • INNOVATE
MILLIMETERS [IN]		
TOLERANCES UNLESS OTHERWISE NOTED		DESCRIPTION STAINLESS STEEL FRICTION HINGE
ALL DIMENSIONS WITHOUT TOLERANCES ARE FOR REFERENCE ONLY.		SIZE A3 SYSTEM NX DWG NO. TD-T6-4E
PER ASME Y14.5M-2009		DRAWN BY LCR DATE 22APR2024 SCALE 1:1 SHEET 1 OF 1

PROPRIETARY ITEM
 EXCEPT FOR USES EXPRESSLY GRANTED IN WRITING, INFORMATION DISCLOSED HEREON IS CONFIDENTIAL AND ALL RIGHTS, PATENT AND OTHERWISE, ARE RESERVED BY SOUTHCO, INC.