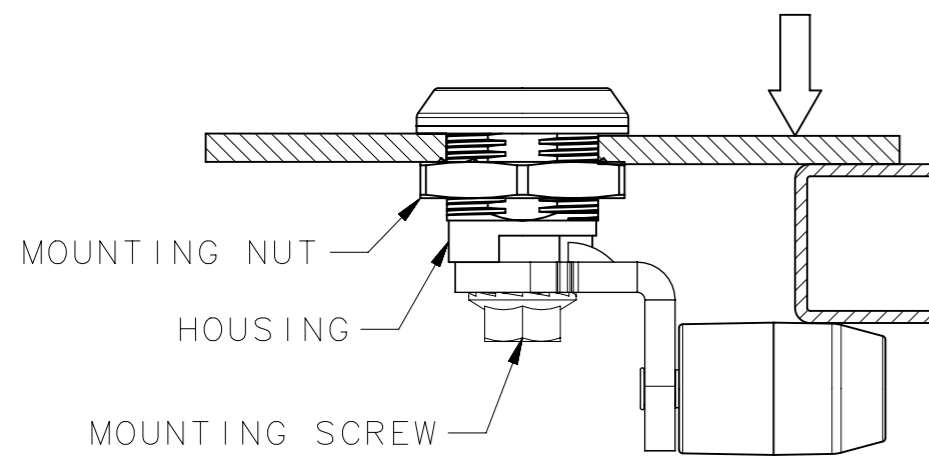


REVISION HISTORY			
REV	DATE	BY	DESCRIPTION
B	25MAR2019	CDW/MJS	PRN: P2019-0711

SOUTHCO PERFORMANCE GUIDELINES:

THE PERFORMAMCE GUIDELINES SHOWN ON THIS PAGE ARE SUPPLIED AS A GENERAL GUIDE ONLY, AS CONDITIONS VARY WITH EACH APPLICATION AND METHOD OF INSTALLATION, STRENGTH DATA GIVEN IS FOR FAILURE OF THE PRODUCT OR FOR SUFFICIENT DEFORMATION TO MAKE THE PRODUCT INOPERABLE. NO SAFETY FACTOR HAS BEEN APPLIED IT IS RECOMMENDED THAT THE USER REQUEST A PRODUCT SAMPLE FOR TESTING TO DETERMINE THE SUITABILITY OF THE PRODUCT FOR THE PURPOSE INTENDED AND USER'S PARTICULAR APPLICATION.



TEST DESCRIPTION	E5-6-WWX-YY1	GENERAL NOTES
MAXIMUM RECOMMENDED WORKING LOAD	330N	SEE NOTE A
AVERAGE ULTIMATE LOAD	480N	SEE NOTE B
MAXIMUM RECOMMENDED MOUNTING NUT TIGHTENING TORQUE	10 N-m	SEE NOTE C
MAXIMUM RECOMMENDED MOUNTING SCREW TIGHTENING TORQUE	5 N-m	-
CYCLE LIFE	10,000 AT 67 N	-

NOTES:

- A. MAXIMUM STATIC LOAD IS THE MAXIMUM RECOMMENDED LOAD AFTER ONE TIME APPLICATION AND REMOVAL OF WHICH THE PRODUCT CONTINUES TO FUNCTION PROPERLY.
- B. AVERAGE ULTIMATE LOAD CAUSES FAILURE OF THE PRODUCT OR SUFFICIENT DEFORMATION TO MAKE THE PRODUCT INOPERABLE.
- C. FAILURE OCCURED WHEN THE THREADS ON THE HOUSING STRIPPED.

REF: trE5-34198, trE5-19, trE5-24

CPB NUMBER 2018-0175	THIRD ANGLE PROJECTION	southco [®] CONNECT • CREATE • INNOVATE	
	MILLIMETERS [IN]		
TOLERANCES UNLESS OTHERWISE NOTED		DESCRIPTION CAM LATCH ROLLER CAM	
UP TO 0.5 ±0.05		SIZE A3	SYSTEM NX
OVER 0.5 UP TO 6 ±0.1		DWG NO. TD-E5-6-2	
OVER 6 UP TO 30 ±0.2		DRAWN BY CDW	DATE 17SEP2018
OVER 30 ±0.3		SCALE 1:1	SHEET 1 OF 1
ANGLES ±1°			
PER ASME Y14.5M-1994			

PROPRIETARY ITEM
EXCEPT FOR USES EXPRESSLY GRANTED
IN WRITING, INFORMATION DISCLOSED
HEREON IS CONFIDENTIAL AND ALL
RIGHTS, PATENT AND OTHERWISE,
ARE RESERVED BY SOUTHCO, INC.