



# M1 Push-to-Close Latch

38mm (1.5") · Stainless steel

- Single, round-hole installation
- Locking style restricts access
- Premium finish and corrosion resistance
- Privacy lock on locking version

### Material and Finish

Latch: 316 grade stainless steel, bright polished  
 Spacer: Nylon, black

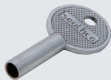
Contact Southco for other finishes

### Performance Details

Max. static load: 545 N (122 lbf)

### Accessories

One key supplied per latch for additional keys order  
 M7-88-9121324-S



Spacer: M1-510-96-1



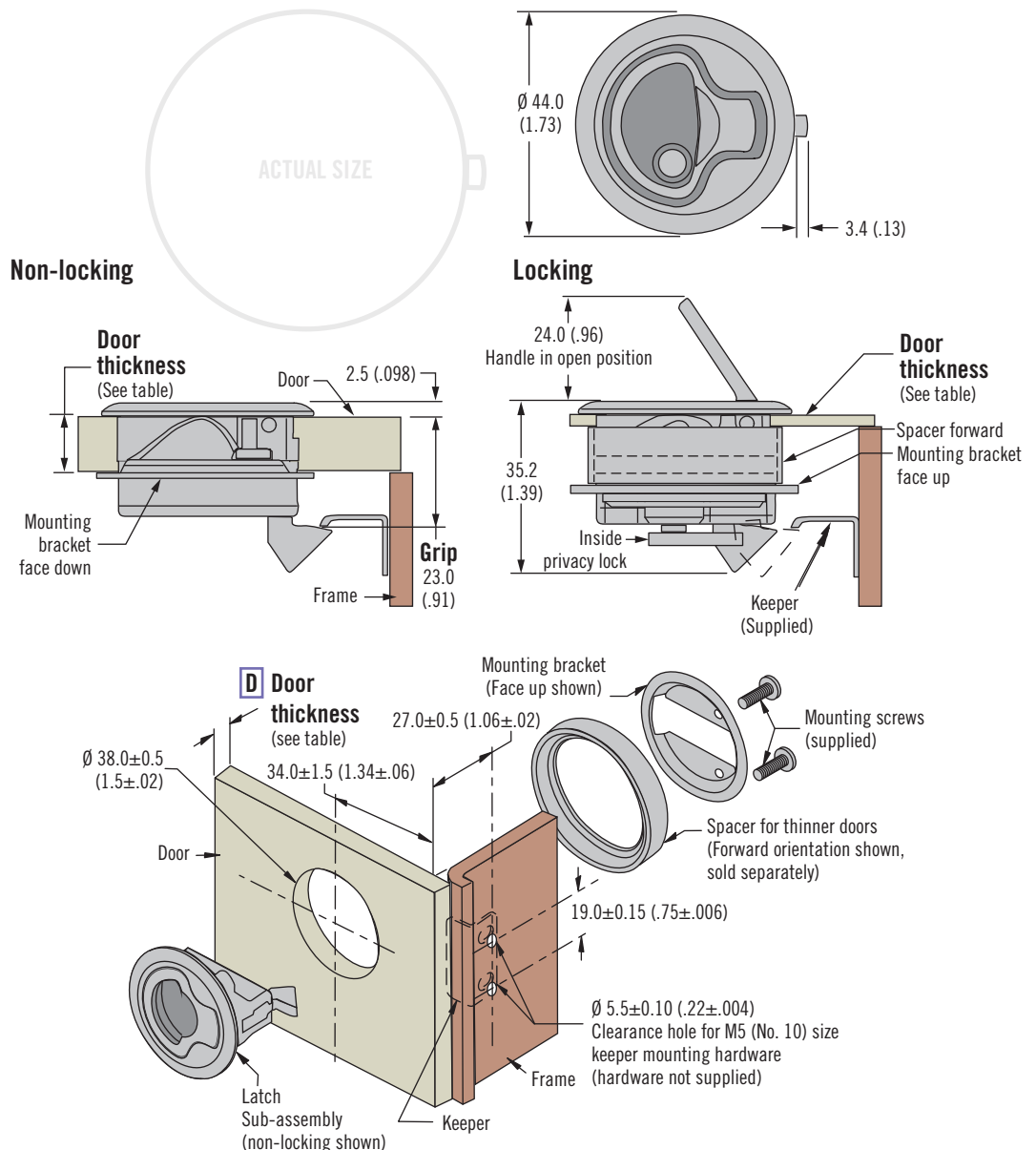
Keeper: M1-510-19-8

Mounting screws: M1-510-96-4

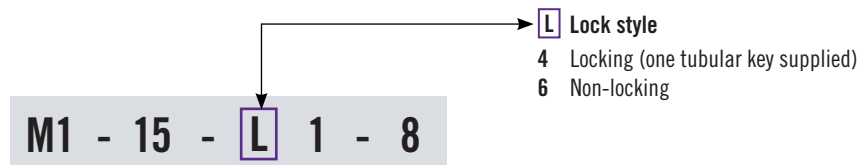
### Installation Notes

Use the reference table to determine if a spacer is required for the door thickness and the correct mounting bracket orientation. The spacer shown is in the forward position.

### Part Number Selection

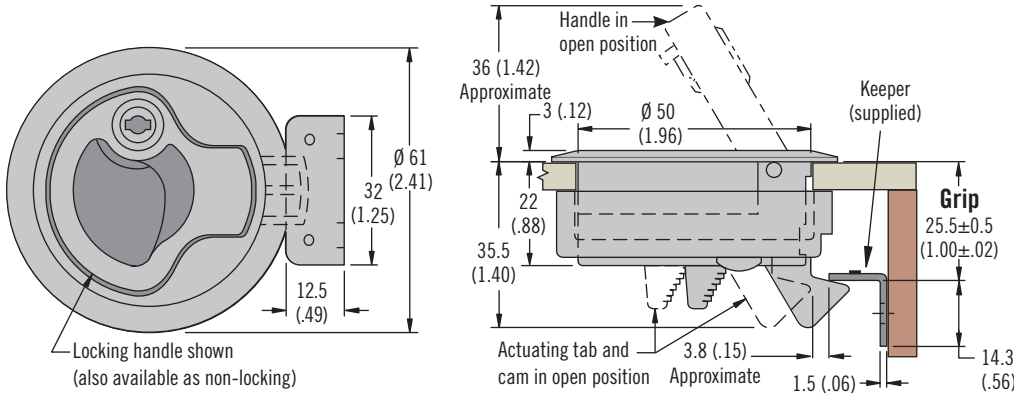


Door Thickness	Spacer Orientation	Mounting Bracket Orientation
1.0 - 7.0 (.04 - .28)	Forward	Face Up
7.0 - 13.0 (.28 - .51)	(not required)	Face Up
13.0 - 19.0 (.51 - .75)	(not required)	Face Down



# M1 Push-to-Close Latch

## 50mm (2") · Stainless steel · Plastic



- Single, round-hole installation
- Corrosion-resistant materials
- Inside actuation when locked or unlocked

### Material and Finish

Stainless steel 316 grade, electropolished or PC/PBT blend, black, white or beige

### Performance Details

Maximum Working load:  
 All stainless steel: 835 N (187 lbf)  
 Plastic (PC/ABT blend) housing options: 270N (60 lbf)

Operating temperature range:  
 -18 °C (0 °F) to 60 °C (140 °F)

Flammability rating:  
 UL94-HB (plastic components)

### Installation Notes

Max. tightening torque on mounting screws: 1.7 N·m (15 in·lbf)

### Accessories

Keeper  
 Part number: M1-519-4

For lock style 4

Key (pair)

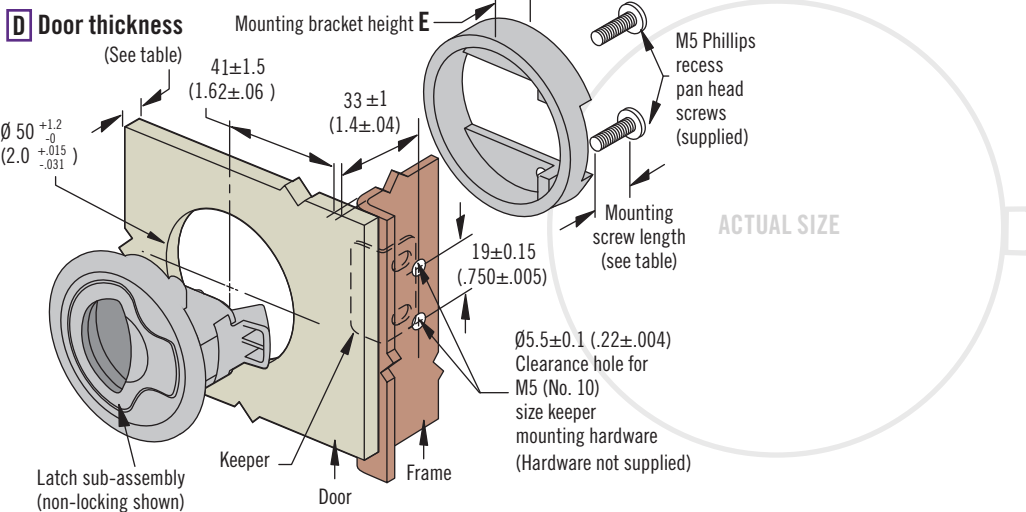
Part number: M1-546

For lock style 7

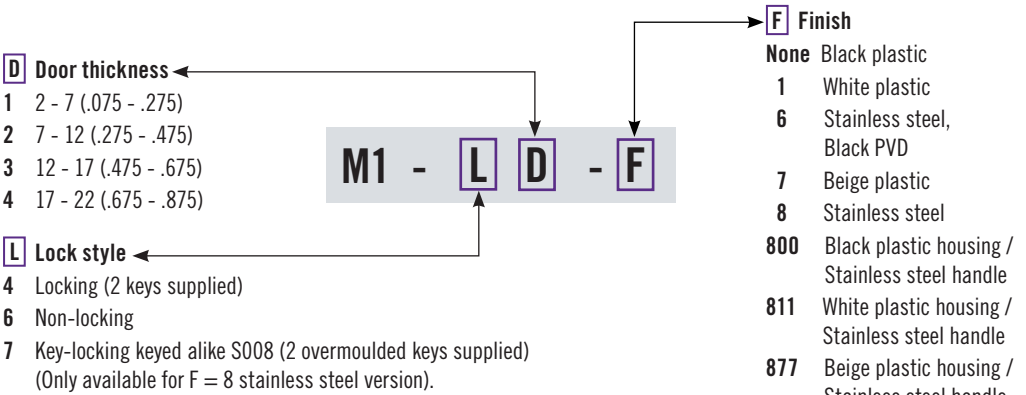
Overmoulded key S008 (pair)

Part number:

M1-525-39-S008



D Door Thickness		Mounting Bracket Height E	Mounting Screw Length	Replacement Screw Part Number
Min.	Max.			
2 (.075)	7 (.275)	14 (.55)	16 (.63)	M1-0-27358-01
7 (.275)	12 (.475)	14 (.55)	20 (.81)	M1-0-27358-02
12 (.475)	17 (.675)	3.8 (.15)	16 (.63)	M1-0-27358-01
17 (.675)	22 (.875)	3.8 (.15)	20 (.81)	M1-0-27358-02



### Part Number Selection

See page 102 for complimentary styled compression version



# M1 Push-to-Close Latch

64mm (2.5") size · Stainless steel

- Single, round-hole installation
- Corrosion-resistant materials
- Inside actuation when locked or unlocked

### Material and Finish

Stainless steel 316 grade, electropolished

### Performance Details

Max. working load: 835 N (187 lbf)

Operating temperature range:  
-18°C (0°F) to 60°C (140°F)

### Installation Notes

Max. tightening torque on mounting screws: 1.7 N·m (15 in·lbf)

### Accessories

Keeper

Part number: M1-525-19-4

For lock style 4

Key (pair)

Part number: M1-546



For lock style 7

Overmoulded key S008 (pair)

Part number: M1-525-39-S008

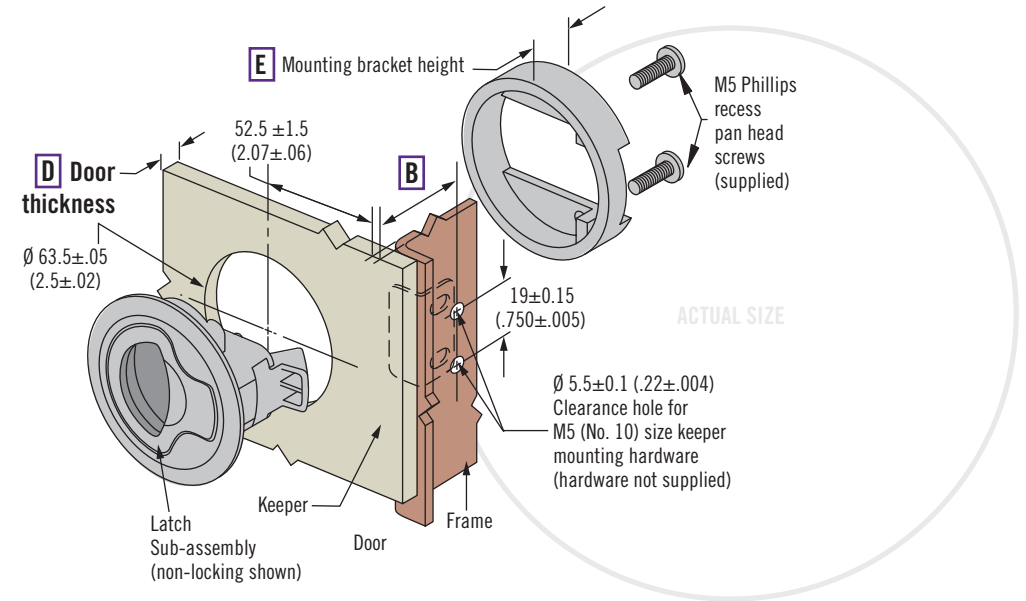
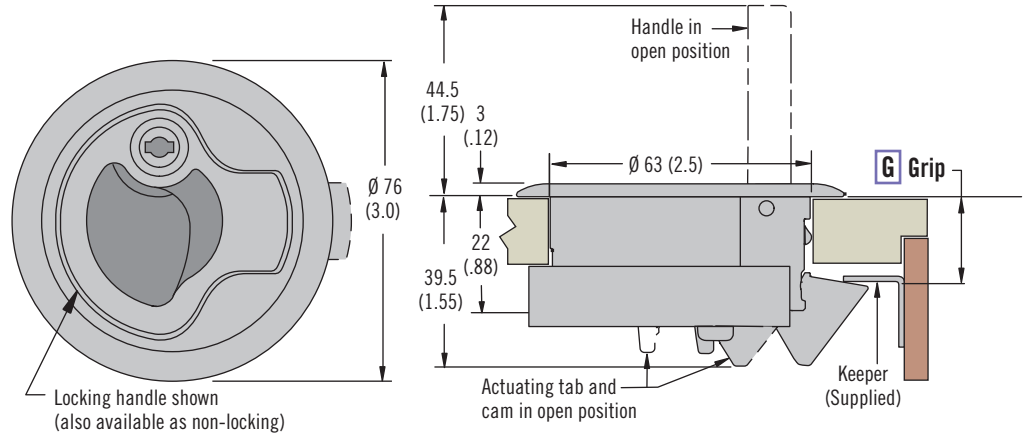


Replacement mounting screw

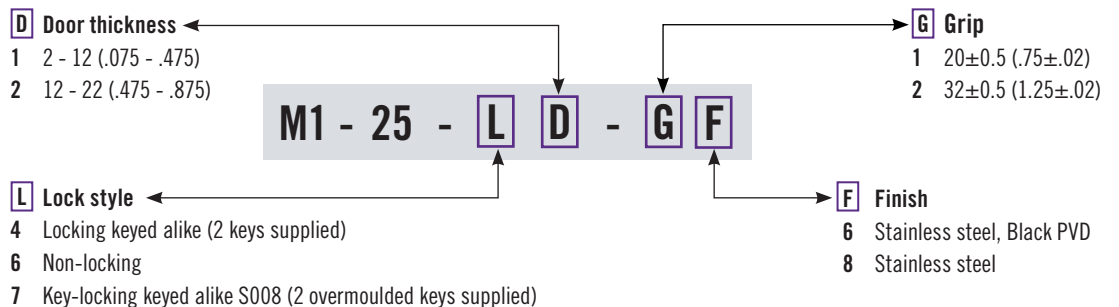
Part number: M1-0-27358-02

### Part Number Selection

See page 103 for complimentary styled compression version



G Grip	E Mounting Bracket Height	D Door Thickness		B
		Min.	Max.	
20±0.5 (.75±.02)	22 (.875)	2 (.075)	12 (.475)	27 (1.10)
32±0.5 (1.25±.02)	22 (.875)	2 (.075)	12 (.475)	39 (1.54)
20±0.5 (.75±.02)	12 (.475)	12 (.475)	22 (.875)	27 (1.10)
32±0.5 (1.25±.02)	12 (.475)	12 (.475)	22 (.875)	39 (1.54)

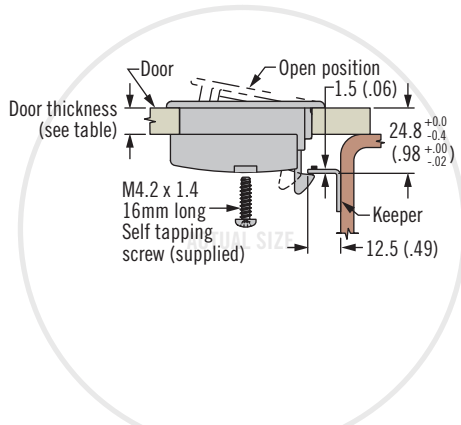
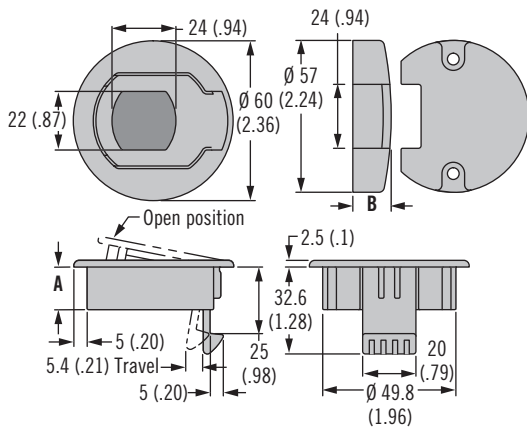


# M1 Push-to-Close Latch

## Lift-to-open · Flush



### Mounting Cup



Door Thickness Range	A	B	Part Number
1 - 7 (.04 - .28)	16 (.63)	20.4 (.80)	M1-81
7 - 13 (.28 - .51)	16 (.63)	14.3 (.57)	M1-82
13 - 19 (.51 - .75)	22 (.87)	14.3 (.57)	M1-83

- Low profile
- Non-corrosive and non-conductive

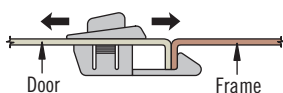
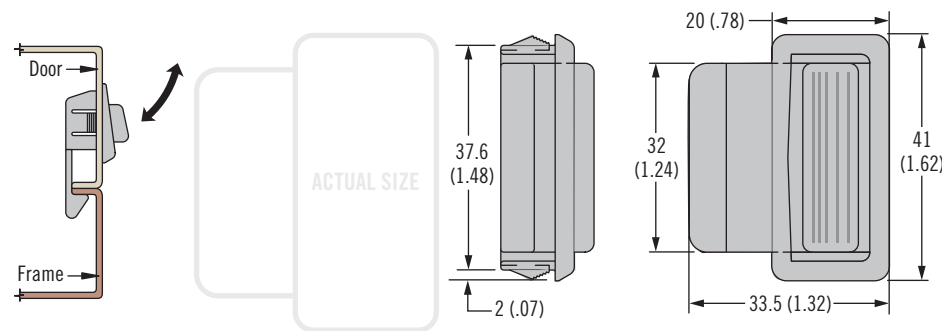
### Material and Finish

Latch: Acetal, black  
Mounting hardware: Stainless steel

[www.southco.com/M1](http://www.southco.com/M1)

# 80 Push-to-Close Latch

## Push-to-open · Snap-in



Colour	Part Number
White	80-201
Black	80-202

- Snap-in installation
- Non-corrosive and non-conductive
- Suitable for sliding or hinged doors

### Material and Finish

Acetal, black or white

