



# GA Gaskets

## Self-gripping

- Broad application range
- Multiple industry standard profiles
- Clip-on or Press-in groove mount

### Material and Finish

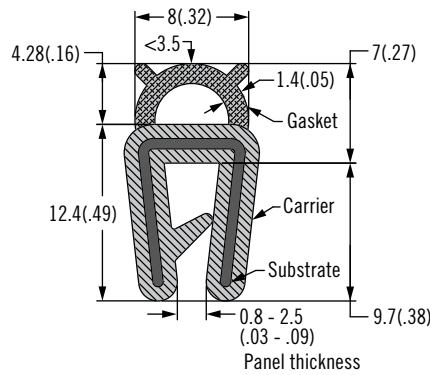
Gasket: EPDM Sponge, black  
 Carrier: 70 Durometer EPDM, black  
 Substrate: Steel wire  
 Coil length: 50m (164 ft)

### Notes

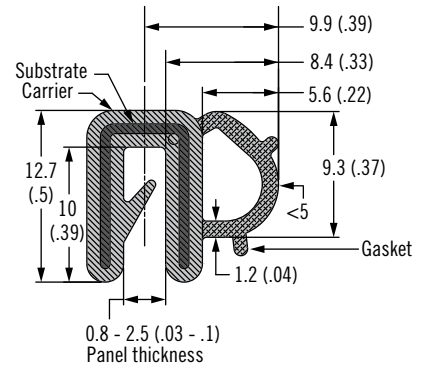
Maximum recommended compression: see "<" symbol in drawings

Optional gasket venting helps reduce the force needed to compress the seal, allowing the door to be closed easier.

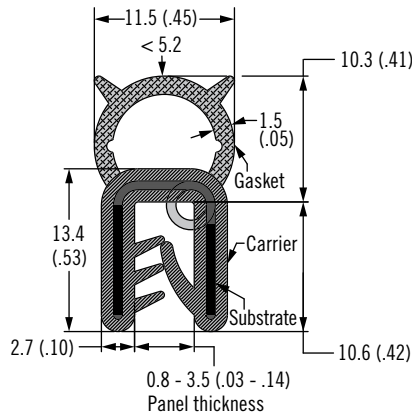
Other profiles available



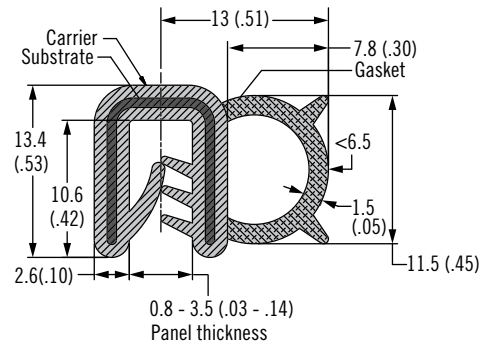
Part Number	Venting
GA-209-82-M500	Non-vented



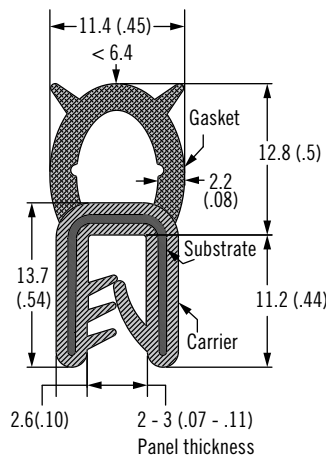
Part Number	Venting
GA-206-82-M500	Non-vented
GA-206-82V-M500	Vented



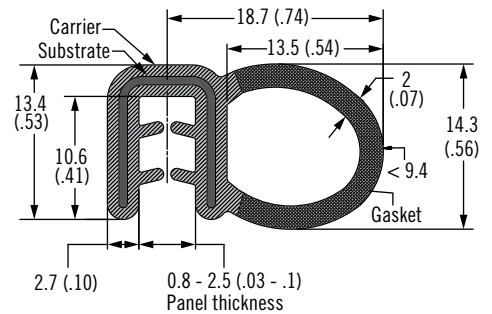
Part Number	Venting
GA-007-82-M500	Non-vented
GA-007-82V-M500	Vented



Part Number	Venting
GA-202-82-M500	Non-vented
GA-202-82V-M500	Vented



Part Number	Venting
GA-010-82-M500	Non-vented
GA-010-82V-M500	Vented



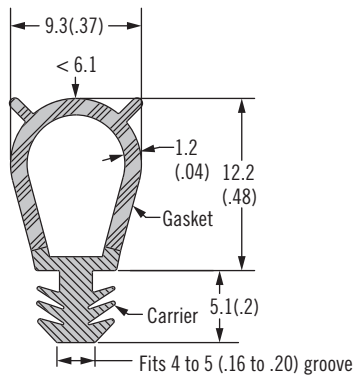
Part Number	Venting
GA-204-82-M500	Non-vented
GA-204-82V-M500	Vented

# GA Gaskets

## Self-gripping



145B



Part Number	Venting
GA-704-81-M500	Non-vented
GA-704-81V-M500	Vented

- Broad application range
- Multiple industry standard profiles
- Clip-on or Press-in groove mount

### Material and Finish

Gasket: EPDM Sponge, black  
 Carrier: 70 Durometer EPDM, black  
 Substrate: Steel wire  
 Coil length: 50m (164 ft)

### Notes

Maximum recommended compression: see "<" symbol in drawings

Optional gasket venting helps reduce the force needed to compress the seal, allowing the door to be closed easier.

Other profiles available