



# 67 Concealed Pull

## Surface mount

- Flush mounting

### Material and Finish

10 series: Plastic, black or zinc alloy,  
black or silver

20 & 40 series:

Handle: Aluminum, silver or black  
powder coated

Housing and bushing: Plastic, black

50 series: Zinc alloy, black or silver

Screw: Stainless steel, passivated

### Performance Details

Maximum static load:

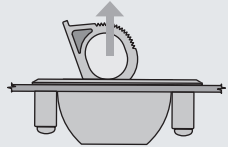
10 series: 620 N (140 lbf) - plastic

10 series: 1100 N (250 lbf) - metal

20 series: 440 N (100 lbf)

40 series: 580 N (130 lbf)

50 series: 1220 N (272 lbf)



Flammability rating:

Housing & bushing: UL94-HB

Handle (10 Series plastic only):

UL94-V2

### Installation Notes

Thread forming screw (M4 x 0.7 (10  
series metal & 50 series) M4.2 x 1.4  
(all other versions supplied for door  
thickness 6.4 (2.5) Maximum)

supplied for door  
thickness 6.4 (.25) Maximum.

For thicker doors calculate screw  
length using the following formula:  
Door thickness + 10 (.40)

### Notes

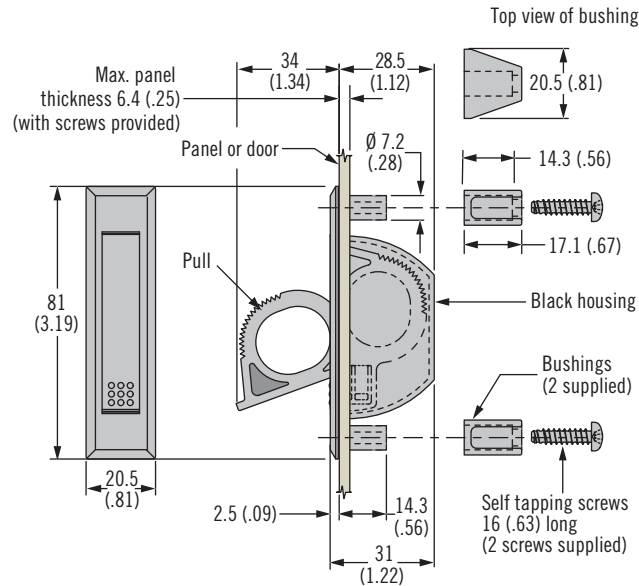
Maximum tightening torque of  
mounting screws:

10 series metal: 2.5 N.m

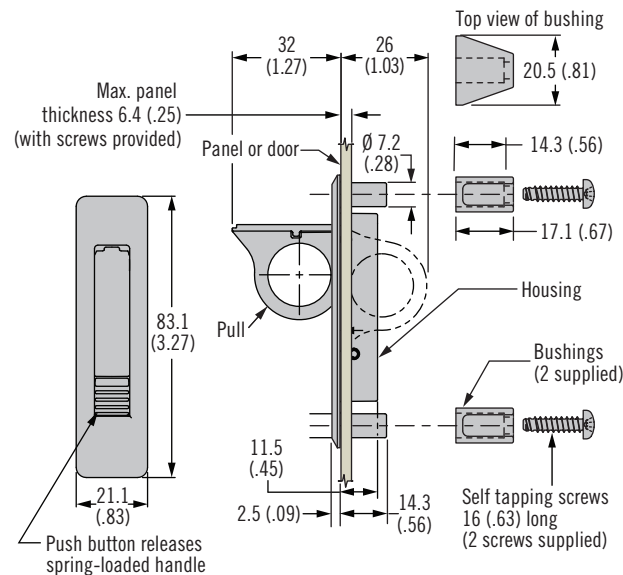
50 series: 1.5 N.m

All other versions: 2.5 N.m

### 10 Series - Plastic



### 10 Series - Metal with Push Button Handle Release

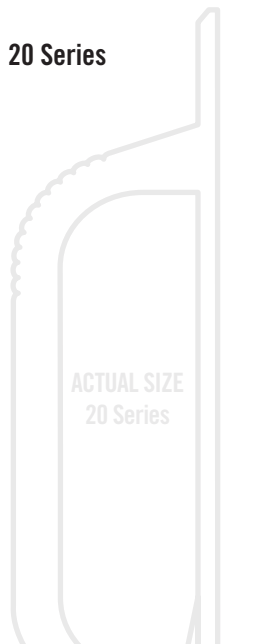


# 67 Concealed Pull

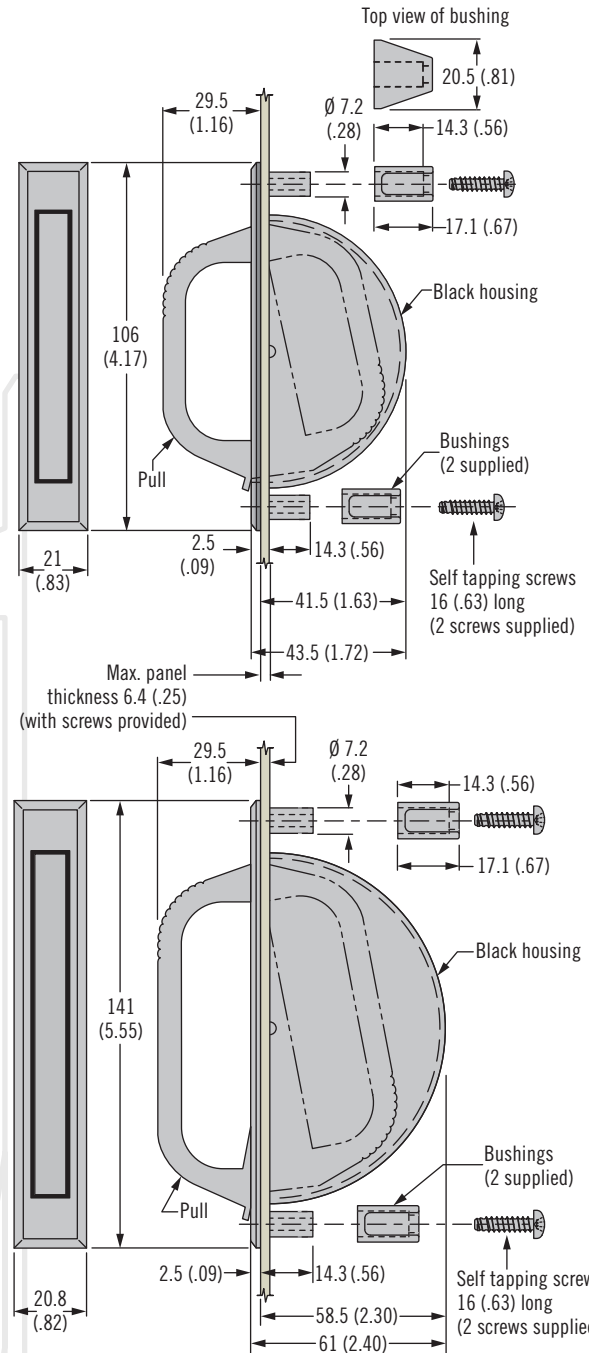
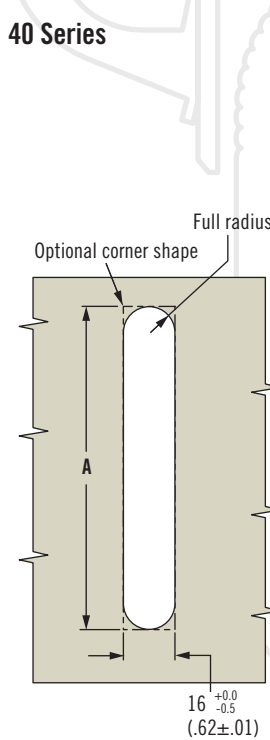
## Surface mount



### 20 Series



### 40 Series



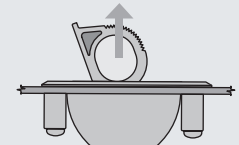
### • Flush mounting

### Material and Finish

10 series: Plastic, black or zinc alloy, black or silver  
 20 & 40 series:  
 Handle: Aluminum, silver or black powder coated  
 Housing and bushing: Plastic, black  
 50 series: Zinc alloy, black or silver  
 Screw: Stainless steel, passivated

### Performance Details

Maximum static load:  
 10 series: 620 N (140 lbf) - plastic  
 10 series: 1100 N (250 lbf) - metal  
 20 series: 440 N (100 lbf)  
 40 series: 580 N (130 lbf)  
 50 series: 1220 N (272 lbf)



### Flammability rating:

Housing & bushing: UL94-HB  
 Handle (10 Series plastic only): UL94-V2

### Installation Notes

Thread forming screw (M4 x 0.7 (10 series metal & 50 series) M4.2 x 1.4 (all other versions supplied for door thickness 6.4 (2.5) Maximum) supplied for door thickness 6.4 (.25) Maximum. For thicker doors calculate screw length using the following formula: Door thickness + 10 (.40)

### Notes

Maximum tightening torque of mounting screws:  
 10 series metal: 2.5 N.m  
 50 series: 1.5 N.m  
 All other versions: 2.5 N.m



# 67 Concealed Pull

Surface mount

## • Flush mounting

### Material and Finish

10 series: Plastic, black or zinc alloy,  
black or silver

20 & 40 series:

Handle: Aluminum, silver or black  
powder coated

Housing and bushing: Plastic, black

50 series: Zinc alloy, black or silver

Screw: Stainless steel, passivated

### Performance Details

Maximum static load:

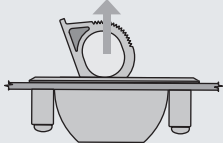
10 series: 620 N (140 lbf) - plastic

10 series: 1100 N (250 lbf) - metal

20 series: 440 N (100 lbf)

40 series: 580 N (130 lbf)

50 series: 1220 N (272 lbf)



Flammability rating:

Housing & bushing: UL94-HB

Handle (10 Series plastic only):

UL94-V2

### Installation Notes

Thread forming screw (M4 x 0.7 (10  
series metal & 50 series) M4.2 x 1.4

(all other versions supplied for door  
thickness 6.4 (2.5) Maximum)

supplied for door

thickness 6.4 (.25) Maximum.

For thicker doors calculate screw

length using the following formula:

Door thickness + 10 (.40)

### Notes

Maximum tightening torque of  
mounting screws:

10 series metal: 2.5 N.m

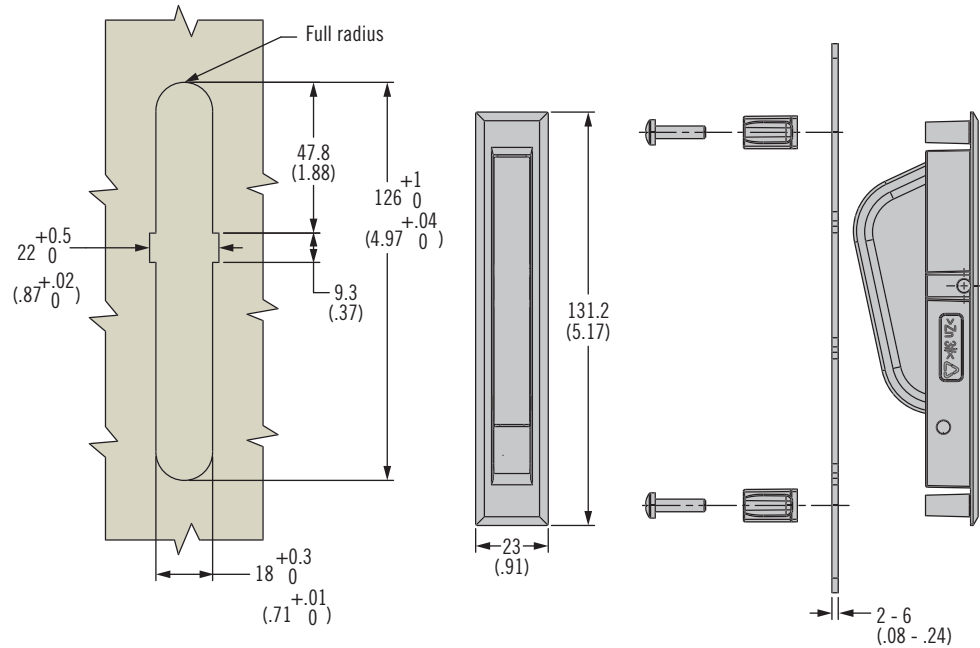
50 series: 1.5 N.m

All other versions: 2.5 N.m

### Part Number

See table

## 50 Series



| Series     | Part Number   |              | Installation   |
|------------|---------------|--------------|--|
|            | Silver Handle | Black Handle | A  |
| 10-Plastic | -             | 67-10        | 76 <sup>+1.0</sup> <sub>-0.00</sub> (3.00 <sup>+0.04</sup> <sub>-0.00</sub> )    |
| 10-Metal   | 67-14         | 67-12        | 77.5 <sup>+1.0</sup> <sub>-0.00</sub> (3.05 <sup>+0.04</sup> <sub>-0.00</sub> )  |
| 20         | 67-27         | 67-25        | 102 <sup>+1.0</sup> <sub>-0.00</sub> (4.00 <sup>+0.04</sup> <sub>-0.00</sub> )   |
| 40         | 67-47         | 67-45        | 136 <sup>+1.0</sup> <sub>-0.00</sub> (5.35 <sup>+0.04</sup> <sub>-0.00</sub> )   |
| 50         | 67-59         | 67-58        | 126.3 <sup>+1.0</sup> <sub>-0.00</sub> (4.97 <sup>+0.04</sup> <sub>-0.00</sub> ) |