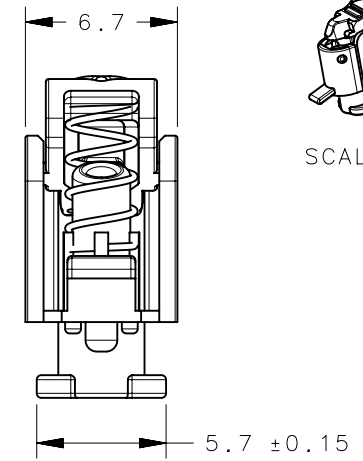
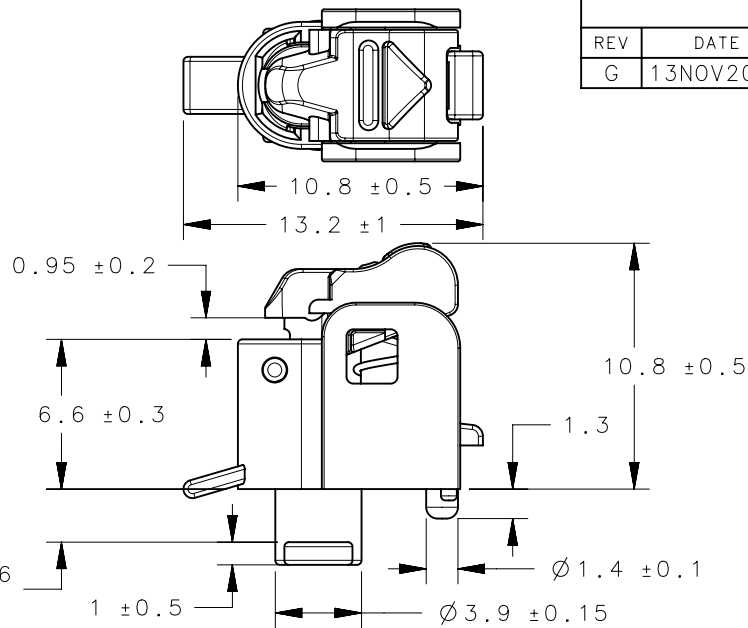
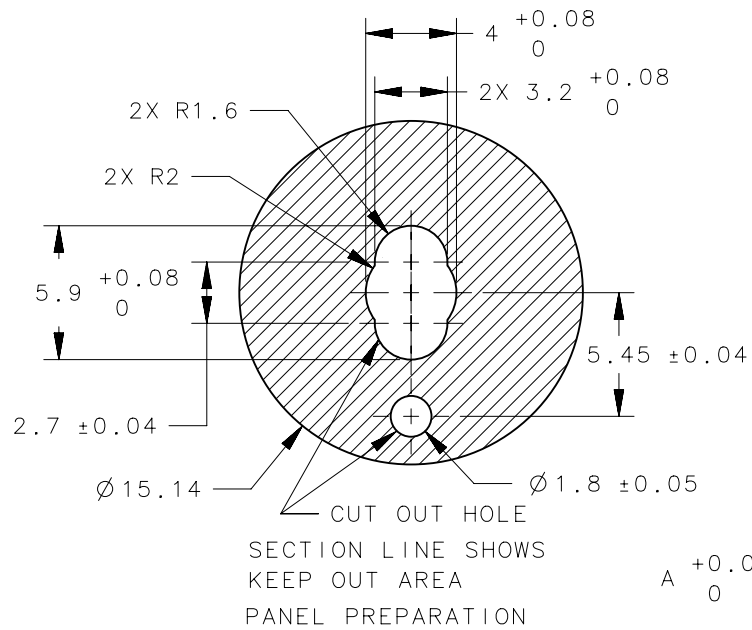


REVISION HISTORY			
REV	DATE	BY	DESCRIPTION
G	13NOV2024	NBK/VK	PRN: P2024-1903



SCALE 1:1

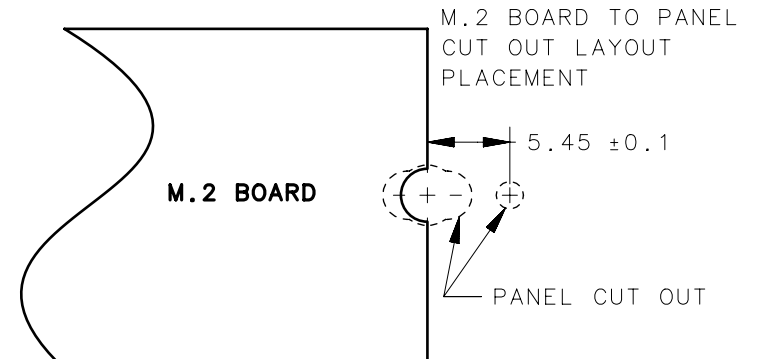
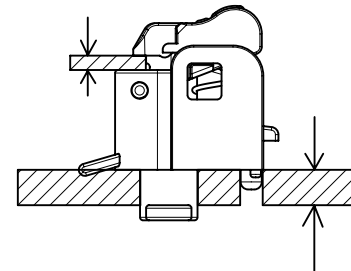
M.2 BOARD T=0.8mm

NOTES:

A. COMPLETE PART NUMBER AS BELOW:
 P7-M2-66-CCC-EEFF ← HOUSING COLOR (SEE TABLE)

COLOR	FF
BLACK	OMIT THIS SUFFIX
WHITE	01
GRAY	02

← BUTTON COLOR
 ← PANEL THICKNESS OPTION
 183 FOR 1.83mm PANEL
 213 FOR 2.13mm PANEL
 236 FOR 2.36mm PANEL



B. ALL SURFACES CONFORM TO SOUTHCO COSMETIC SPECIFICATION S-121-04, CLASS "C".

C. BULK PACKED.

D. MATERIAL AND FINISH:

- HOUSING : PLASTIC, SEE TABLE FOR COLOR OPTIONS
- BUTTON : PLASTIC SEE J-47-0-3 FOR COLOR OPTION
- SPRING : STAINLESS STEEL, PASSIVATED

P7-M2-66-236-EEFF	ASSEMBLY	2.6	2.36
P7-M2-66-183-EEFF	ASSEMBLY	2.01	1.83
P7-M2-66-213-EEFF	ASSEMBLY	2.34	2.13
PART NUMBER	TYPE OF COMPONENT	DIMENSION "A"	PANEL THICKNESS "P"

	THIRD ANGLE PROJECTION	 CONNECT • CREATE • INNOVATE	
	MILLIMETERS [IN]		
SURFACE AREA	TOLERANCES UNLESS OTHERWISE NOTED	DESCRIPTION M.2 LATCH	
VOLUME	ALL DIMENSIONS WITHOUT TOLERANCES ARE FOR REFERENCE ONLY.	SIZE A4	SYSTEM NX
PROPRIETARY ITEM EXCEPT FOR USES EXPRESSLY GRANTED IN WRITING, INFORMATION DISCLOSED HEREON IS CONFIDENTIAL AND ALL RIGHTS, PATENT AND OTHERWISE, ARE RESERVED BY SOUTHCO, INC.	PER ASME Y14.5M-2009	DWG NO. J-P7-M2-66	
		DRAWN BY DKP/DMS	DATE 24APR2020
		SCALE 3:1	SHEET 1 OF 1