

6

5

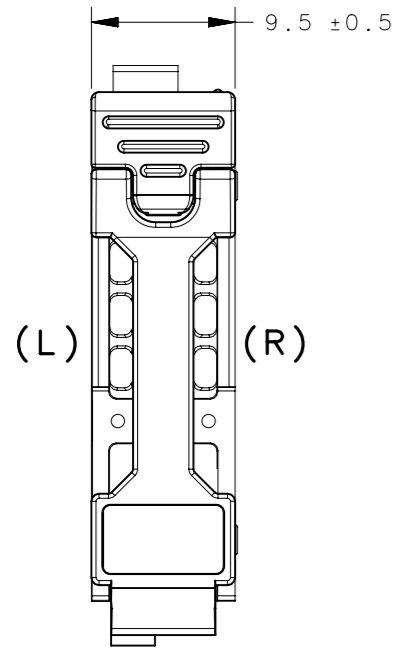
4

3

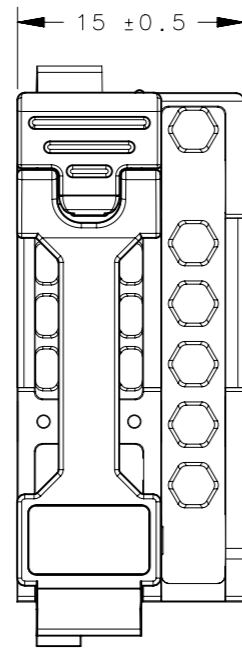
2

1

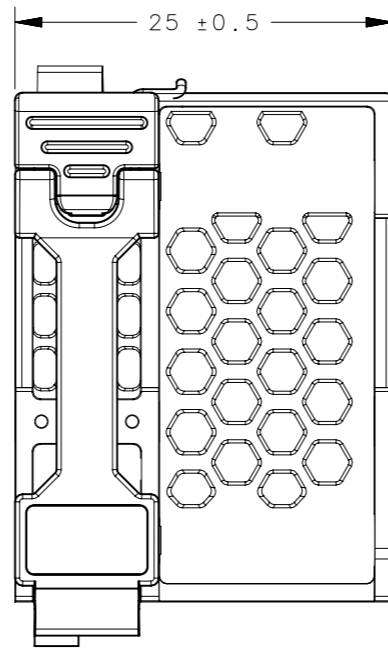
REVISION HISTORY			
REV	DATE	BY	DESCRIPTION
D	29JAN2026	CC/JP	PRN: P2026-0160



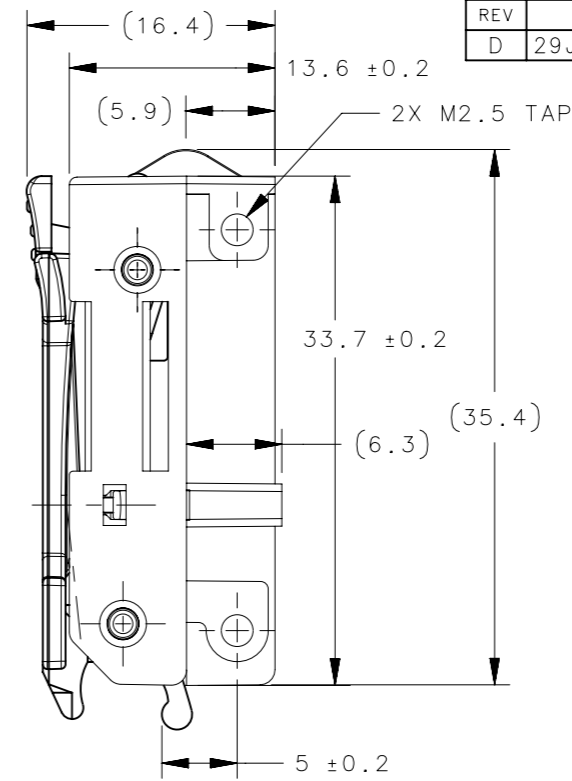
P7-E1S-095-EEE-X
 (-EEE ONLY FOR BUTTON COLOR)
 (WITHOUT EMI SPRING ON SIDE)



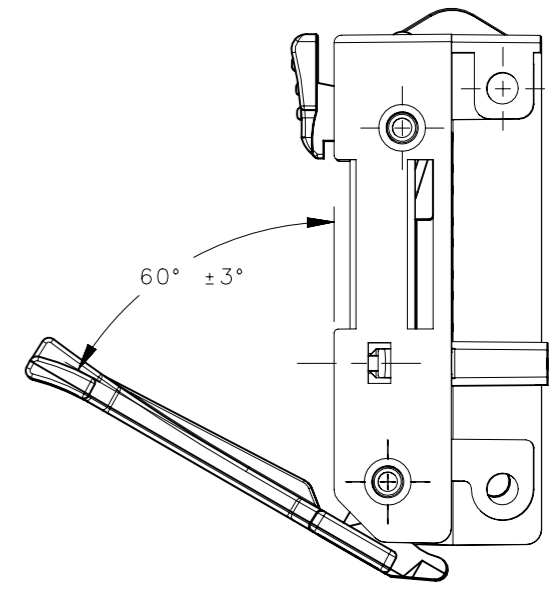
P7-E1S-150-EEE-X
 (-EEE ONLY FOR BUTTON COLOR)
 (WITHOUT EMI SPRING ON SIDE)



P7-E1S-250-EEE-X
 (-EEE ONLY FOR BUTTON COLOR)
 (WITHOUT EMI SPRING ON SIDE)



(SIDE VIEW OF P7-E1S-095)



OPEN ANGLE

P7-E1S-095-EEE-X

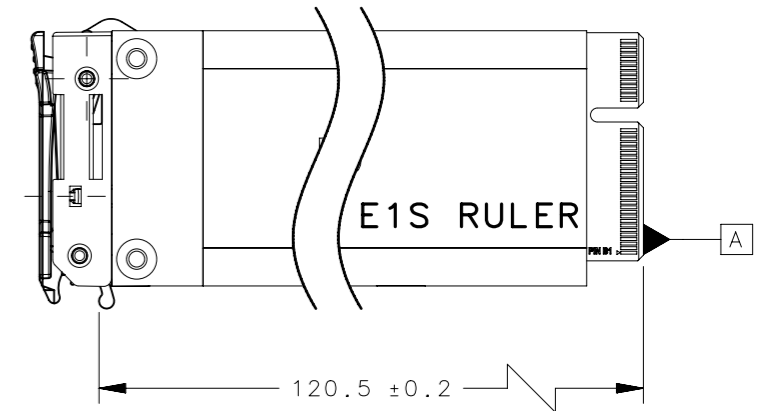
-150

-250

BUTTON COLOR

NOTES:

- COSMETIC (HOUSING/LEVER) :
 A- (a) FINISH : PAINTING
 (b) COLOR : SILVER GREY
 N- NICKLE PLATED.
- "EEE" BOTTON COLOR
 000- BLACK
 SEE J-47-0-3 FOR DETAIL ADDITIONAL COLOR.
- THE ALLICATION OF THE EMI SPRING ARE REFERENCED TO THE CARD-TO-CARD PITCH RECOMMENDED IN THE SNIA SFF-TA-1023 SPECIFICATION. FOR OTHER PITCHES, PLEASE CONSULT SOUTHCO ENGINEERING.
- RoHS COMPLIANT.
 ALL THE VISIBLE SURFACE COSMETIC PER SOUTHCO S-121 CLASS "C".
- THE MAXIMUM COMPRESSION OF EMI SPRING IS 0.5mm.



(REFERENCE DIMENSION FOR INJECTING)

- A PAINTED , SILVER GREY
- AB INCLUDING TWO EMI SPRINGS
- AC INCLUDING ONE EMI SPRING ON LEFT
- AD INCLUDING ONE EMI SPRING ON RIGHT
- N NICKLE PLATED
- NB NICKLE PLATED, INCLUDING TWO EMI SPRINGS
- NC NICKLE PLATED, INCLUDING ONE EMI SPRING ON LEFT
- ND NICKLE PLATED, INCLUDING ONE EMI SPRING ON RIGHT

P7-E1S-250-EEE-X	SEE NOTE	SEE NOTE
P7-E1S-150-EEE-X	SEE NOTE	SEE NOTE
P7-E1S-095-EEE-X	SEE NOTE	SEE NOTE
PART NUMBER	COSMETIC HOUSING & LEVER	EMI SPRING

CPB NUMBER 2020-0127	THIRD ANGLE PROJECTION			
SURFACE AREA XXXXXmm ²	MILLIMETERS [IN]			
VOLUME XXXXXmm ³	TOLERANCES UNLESS OTHERWISE NOTED	DESCRIPTION INJECT/EJECT MECHANISM E1S EJECTOR		
PROPRIETARY ITEM EXCEPT FOR USES EXPRESSLY GRANTED IN WRITING, INFORMATION DISCLOSED HEREON IS CONFIDENTIAL AND ALL RIGHTS, PATENT AND OTHERWISE, ARE RESERVED BY SOUTHCO, INC.	ALL DIMENSIONS WITHOUT TOLERANCES ARE FOR REFERENCE ONLY.	SIZE A3	SYSTEM NX	DWG NO. J-P7-E1S-100-1
PER ASME Y14.5M-2009		DRAWN BY ED/LC	DATE 28JUL2020	SCALE 2:1
		SHEET 1 OF 3		

6

5

4

3

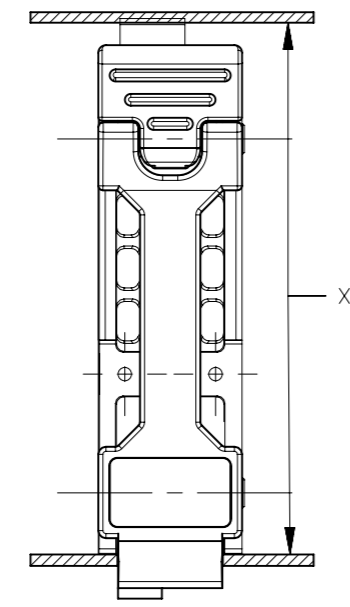
2

1

THE REFERENCE DISTANCE FOR LATCH PLACEMENT

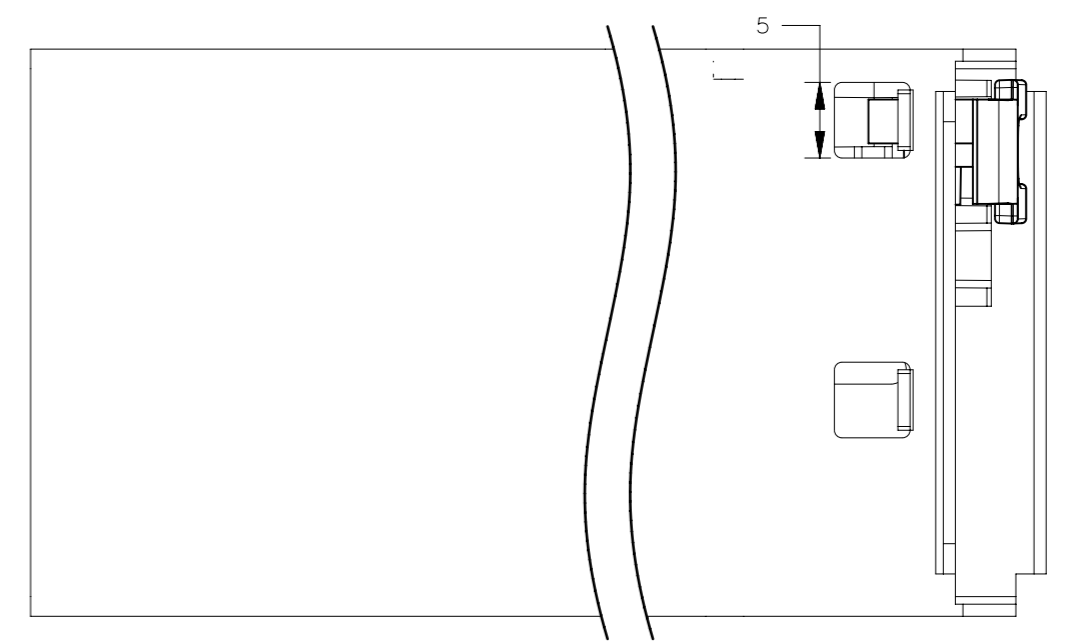
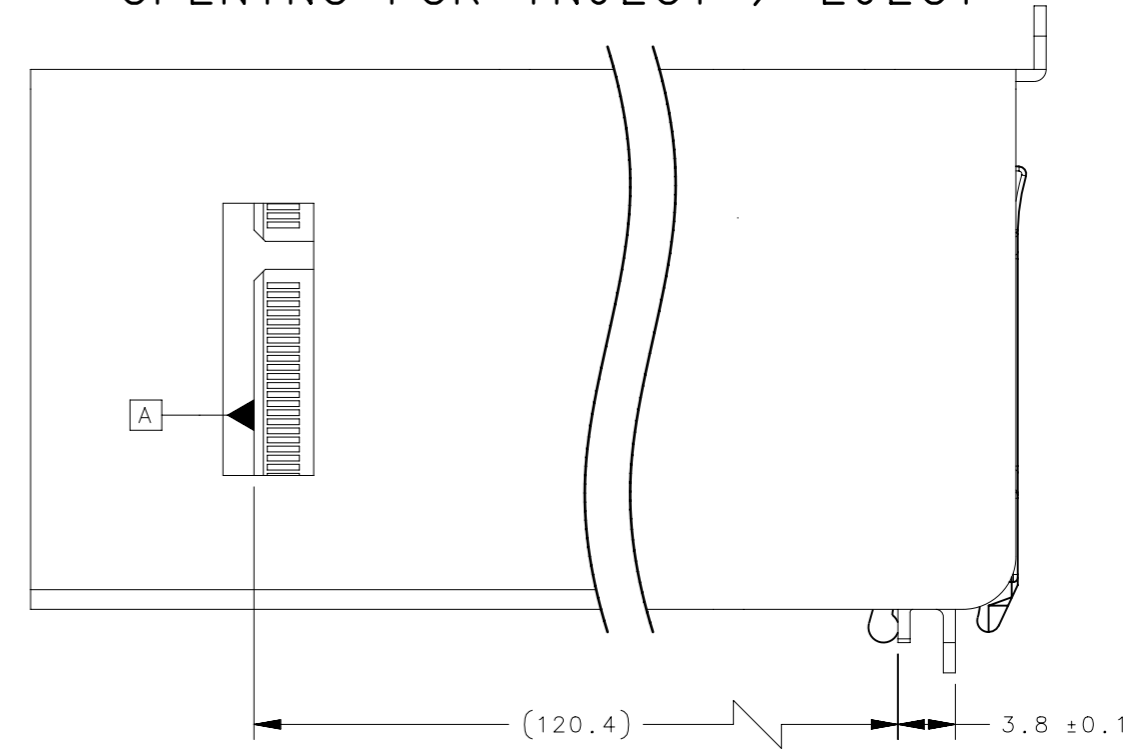
REVISION HISTORY			
REV	DATE	BY	DESCRIPTION
D	29JAN2026	CC/JP	PRN: P2026-0160

OPENING FOR INJECT / EJECT



X : THE DISTANCE OF LATCH TO TOP INNER WALL.

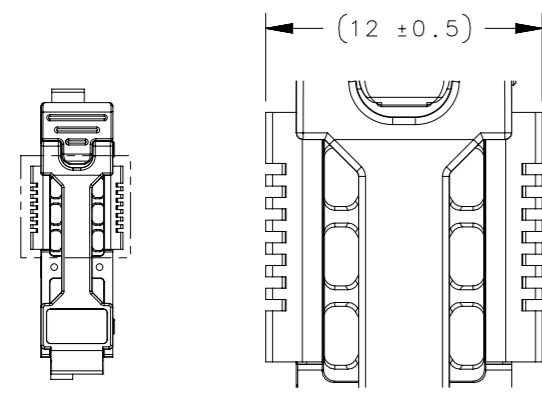
095	34.75 ±0.25
150	34.75 ±0.25
250	34.75 ±0.25



P7-E1S-250-EEE-X	SEE NOTE	SEE NOTE
P7-E1S-150-EEE-X	SEE NOTE	SEE NOTE
P7-E1S-095-EEE-X	SEE NOTE	SEE NOTE
PART NUMBER	COSMETIC HOUSING & LEVER	EMI SPRING

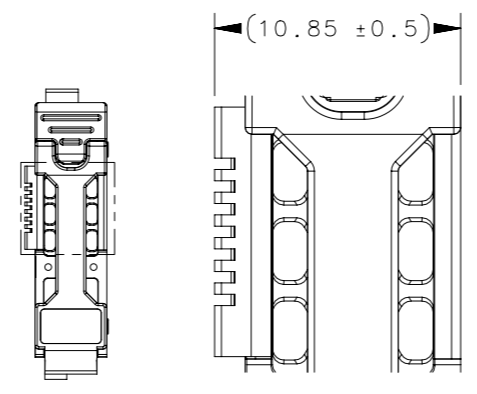
CPB NUMBER 2020-0127	THIRD ANGLE PROJECTION	 CONNECT · CREATE · INNOVATE		
SURFACE AREA XXXXXmm ²	MILLIMETERS [IN]			
VOLUME XXXXXmm ³	TOLERANCES UNLESS OTHERWISE NOTED	DESCRIPTION INJECT/EJECT MECHANISM E1S EJECTOR		
PROPRIETARY ITEM <small>EXCEPT FOR USES EXPRESSLY GRANTED IN WRITING, INFORMATION DISCLOSED HEREON IS CONFIDENTIAL AND ALL RIGHTS, PATENT AND OTHERWISE, ARE RESERVED BY SOUTHCO, INC.</small>	ALL DIMENSIONS WITHOUT TOLERANCES ARE FOR REFERENCE ONLY.	SIZE A3	SYSTEM NX	DWG NO. J-P7-E1S-100-1
	PER ASME Y14.5M-2009	DRAWN BY ED/LC	DATE 28JUL2020	SCALE 2:1
				SHEET 2 OF 3

REVISION HISTORY			
REV	DATE	BY	DESCRIPTION
D	29JAN2026	CC/JP	PRN: P2026-0160



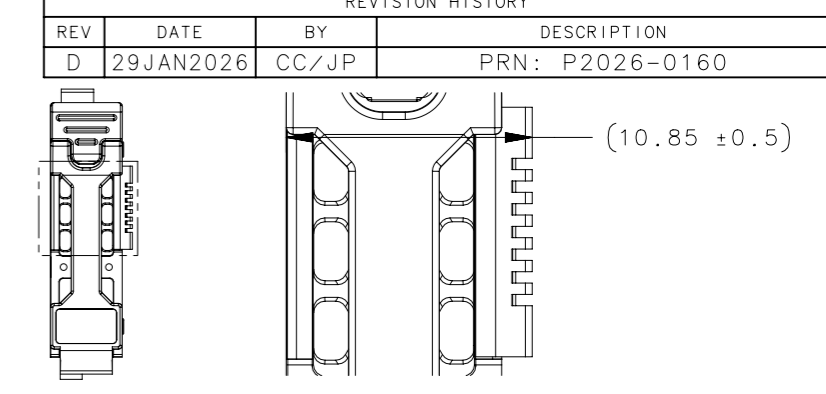
DETAIL B
SCALE 3:1

P7-E1S-095-EEE-AB/-NB
TWO EMI SPRINGS



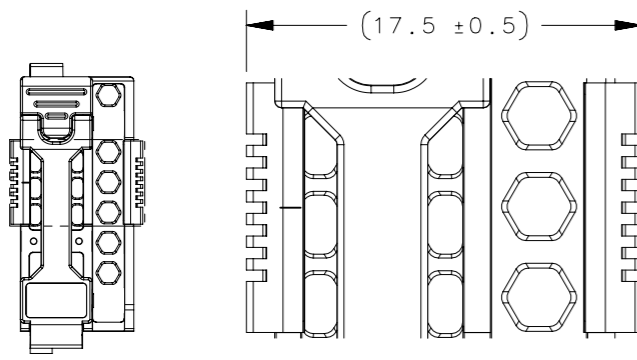
DETAIL C
SCALE 3:1

P7-E1S-095-EEE-AC/-NC
ONE EMI SPRING ON LEFT



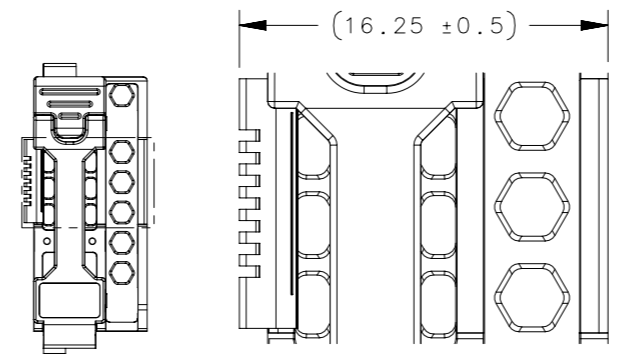
DETAIL D
SCALE 3:1

P7-E1S-095-EEE-AD/-ND
ONE EMI SPRING ON RIGHT



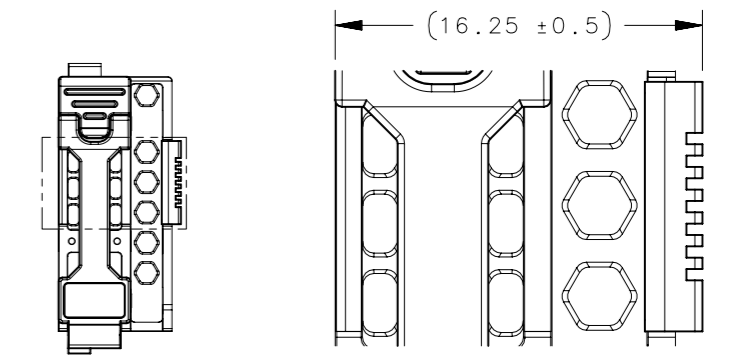
DETAIL E
SCALE 3:1

P7-E1S-150-EEE-AB/-NB
TWO EMI SPRINGS



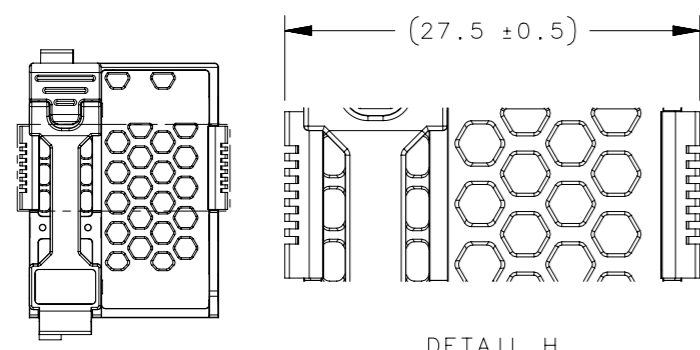
DETAIL F
SCALE 3:1

P7-E1S-150-EEE-AC/-NB
ONE EMI SPRING ON LEFT



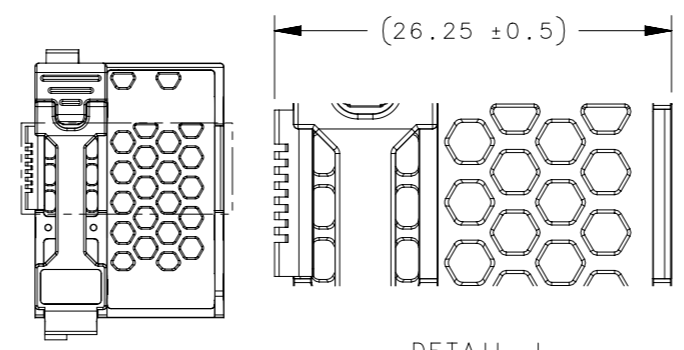
DETAIL G
SCALE 3:1

P7-E1S-150-EEE-AD/-ND
ONE EMI SPRING ON RIGHT



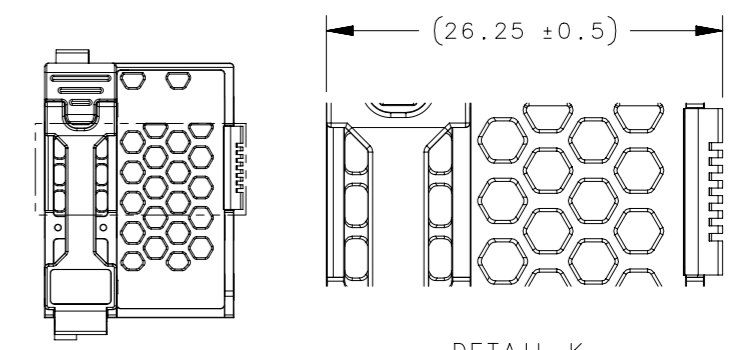
DETAIL H
SCALE 2:1

P7-E1S-250-EEE-AB/-NB
TWO EMI SPRINGS



DETAIL J
SCALE 2:1

P7-E1S-250-EEE-AC/-NB
ONE EMI SPRING ON LEFT



DETAIL K
SCALE 2:1

P7-E1S-250-EEE-AD/-NB
ONE EMI SPRING ON RIGHT

P7-E1S-250-EEE-X	SEE NOTE	SEE NOTE
P7-E1S-150-EEE-X	SEE NOTE	SEE NOTE
P7-E1S-095-EEE-X	SEE NOTE	SEE NOTE
PART NUMBER	COSMETIC HOUSING & LEVER	EMI SPRING

CPB NUMBER	2020-0127
SOURCE TCID	P7-E1S-100-1
PROPRIETARY ITEM	EXCEPT FOR USES EXPRESSLY GRANTED IN WRITING, INFORMATION DISCLOSED HEREON IS CONFIDENTIAL AND ALL RIGHTS, PATENT AND OTHERWISE, ARE RESERVED BY SOUTHCO, INC.

THIRD ANGLE PROJECTION	
MILLIMETERS [IN]	
TOLERANCES UNLESS OTHERWISE NOTED	
ALL DIMENSIONS WITHOUT TOLERANCES ARE FOR REFERENCE ONLY.	
PER ASME Y14.5M-2009	

southco [®]			
CONNECT • CREATE • INNOVATE			
DESCRIPTION INJECT/EJECT MECHANISM P7-E1S-XXX-EEE-X			
SIZE A3	SYSTEM NX	DWG NO. J-P7-E1S-100-1	
DRAWN BY ED/LC	DATE 28JUL2020	SCALE 1:1	SHEET 3 OF 3