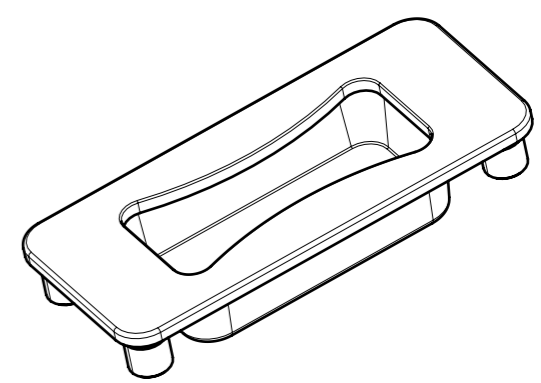
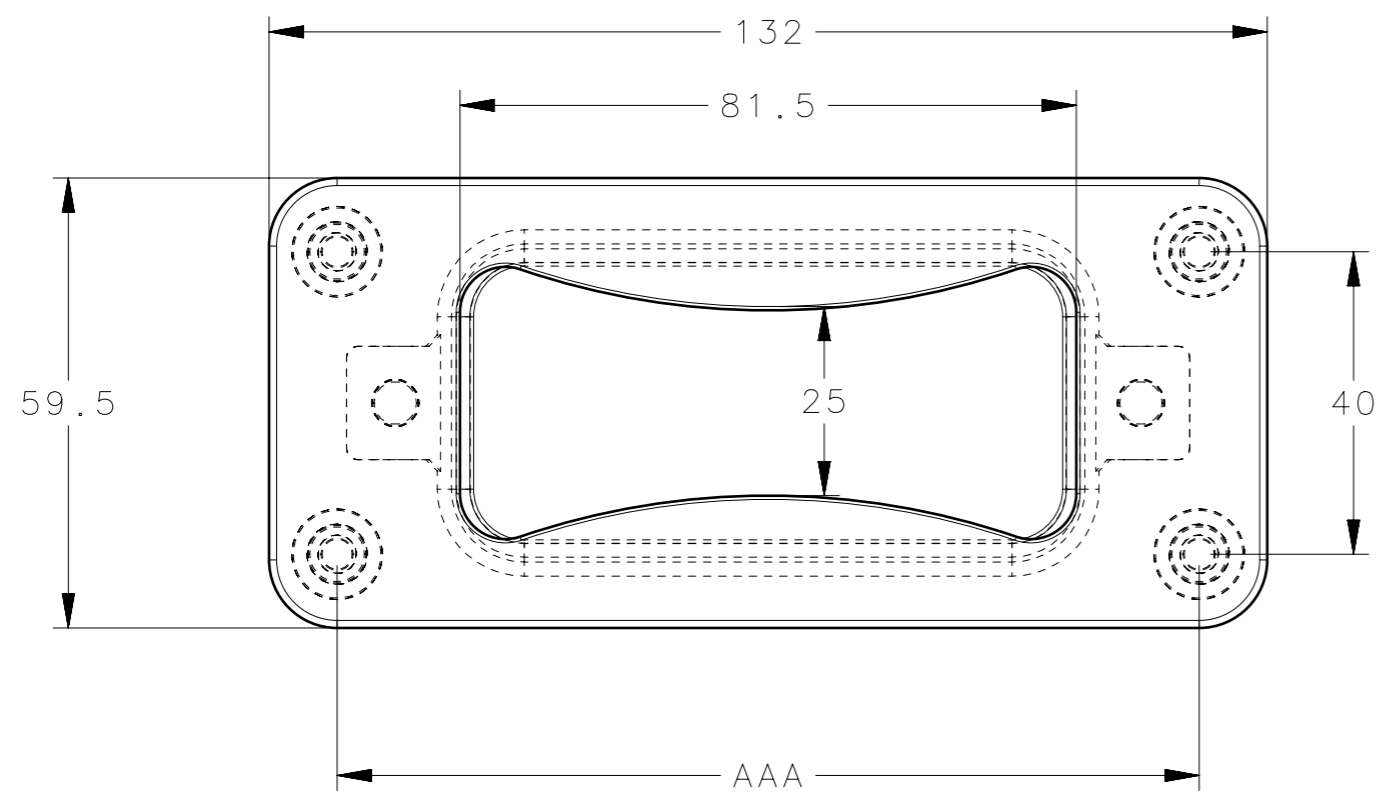
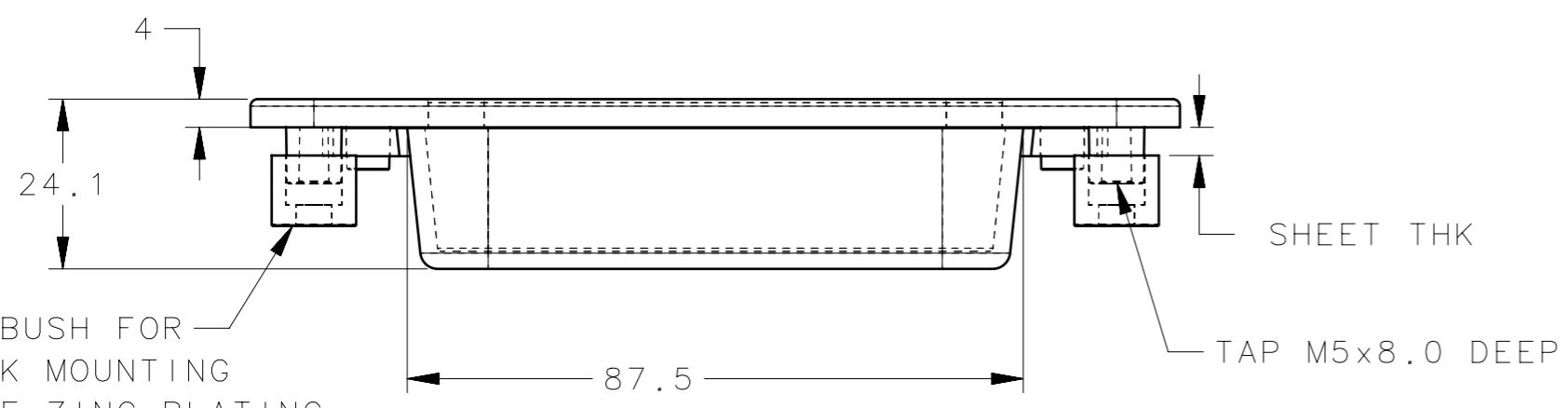
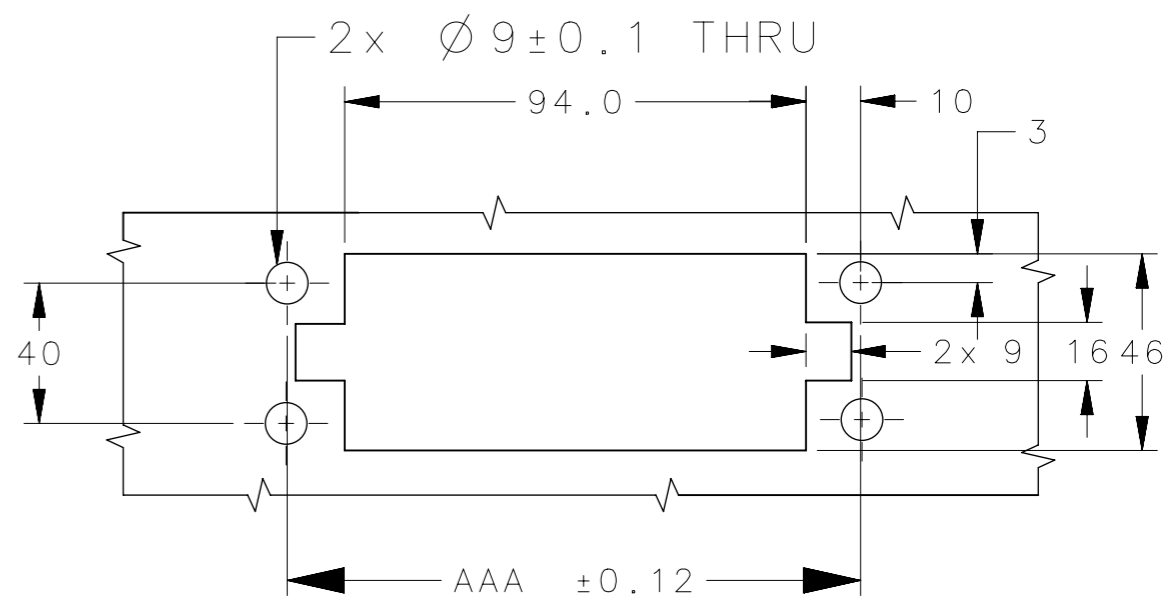


REVISION HISTORY			
REV	DATE	BY	DESCRIPTION
C	16JAN2024	SBK/VK	PRN: P2024-0129



SCALE 1:2

PANEL PREPARATION



Ms BUSH FOR BACK MOUNTING
BLUE ZINC PLATING

SHEET THK

TAP M5x8.0 DEEP

- NOTES:-
1. MOUNTING SCREWS NOT SUPPLIED.
 2. FOR e.g AAA=100 THE REAL LENGTH IS 100.

P1-DHRZ-130	P1 - FLUSH PULL	ZINC	BLACK POWDER COATING	114
SOUTHCO PART NUMBER	DESCRIPTION	MATERIAL	FINISH	(AAA)
CPB NUMBER 2023-0391	THIRD ANGLE PROJECTION	 CONNECT • CREATE • INNOVATE		
	MILLIMETERS [IN]			
SURFACE AREA mm ²	TOLERANCES UNLESS OTHERWISE NOTED	DESCRIPTION P1 - FLUSH PULL		
VOLUME mm ³	ALL DIMENSIONS WITHOUT TOLERANCES ARE FOR REFERENCE ONLY.	SIZE A3	SYSTEM NX	DWG NO. J-P1-DHRZ
PROPRIETARY ITEM	PER ASME Y14.5M-2009	DRAWN BY SBK	DATE 04AUG2023	SCALE 1:1
EXCEPT FOR USES EXPRESSLY GRANTED IN WRITING, INFORMATION DISCLOSED HEREON IS CONFIDENTIAL AND ALL RIGHTS, PATENT AND OTHERWISE, ARE RESERVED BY SOUTHCO, INC.		SHEET 1 OF 1		