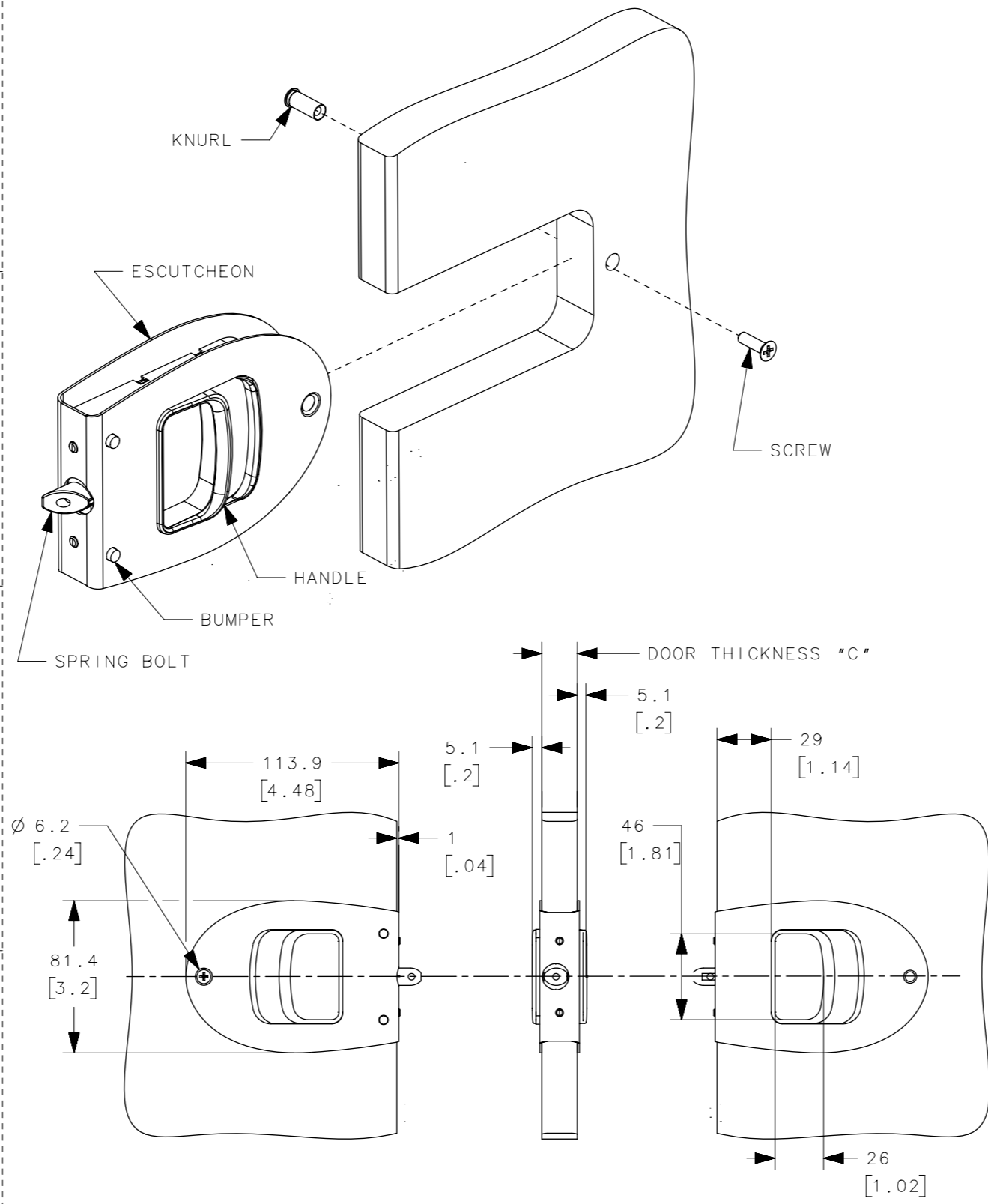
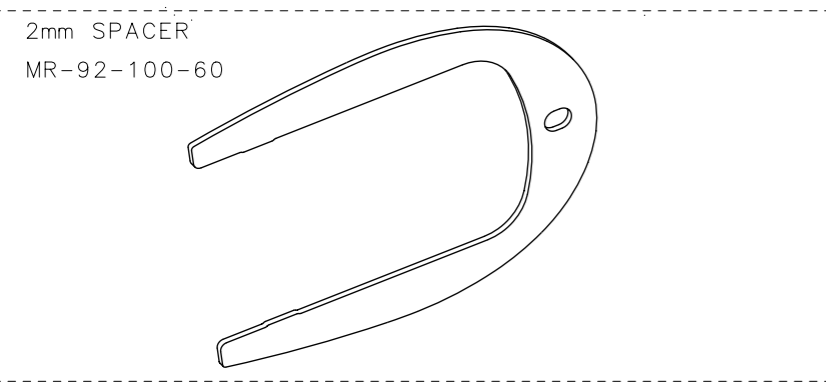
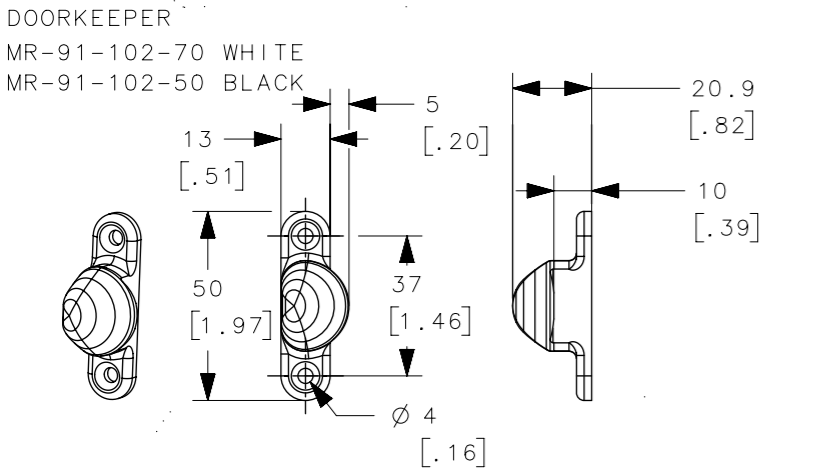
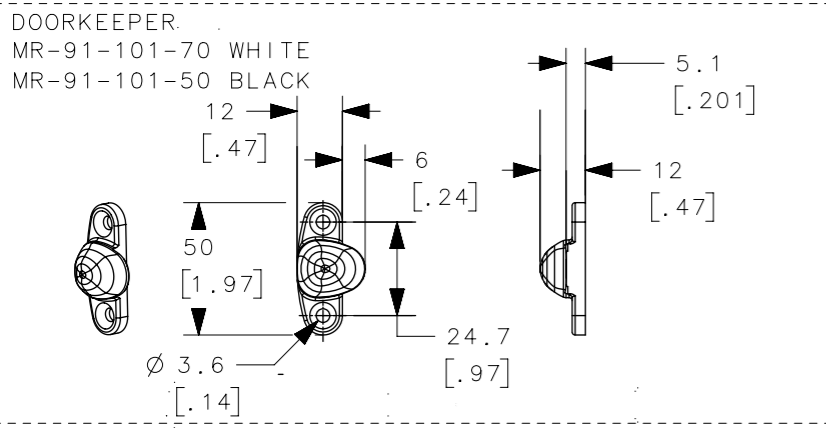
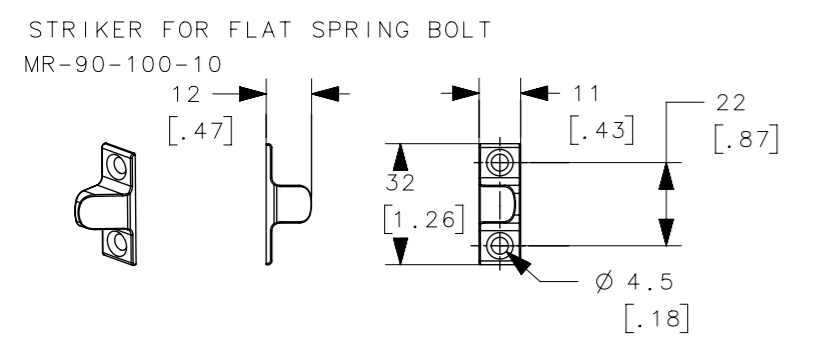
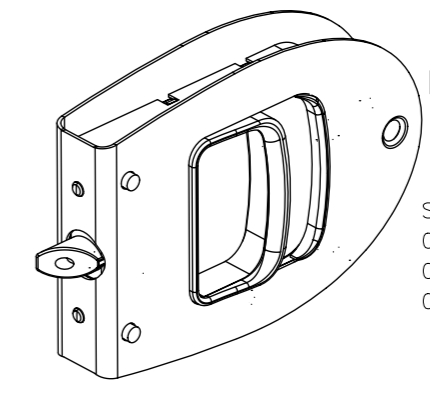


REVISION HISTORY			
REV	DATE	BY	DESCRIPTION
C	17FEB2025	PBJ/VK	PRN: P2025-0226

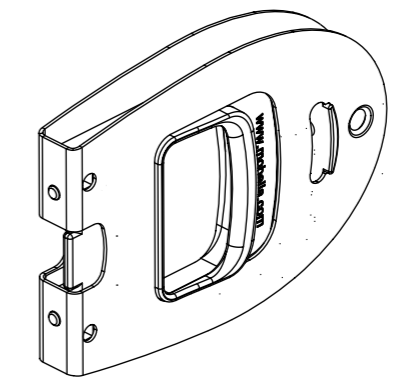
ACCESSORIES



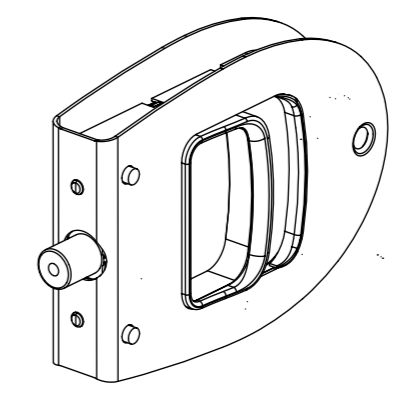
ADJUSTABLE SPRING BOLT VERSION
MR-01-ABC-DD



FLAT SPRING BOLT VERSION
MR-02-ABC-DD



2-STEP SPRING BOLT VERSION
MR-03-ABC-DD



PART NUMBER SYSTEM
MR-XX-1BC-DD.

SPRING BOLT OPTION (XX)
01 - ADJUSTABLE SPRING BOLT
02 - FLAT SPRING BOLT
03 - 2-STEP SPRING BOLT

PRIVACY OPTION (B)
0 - NO PRIVACY
2 - PRIVACY

DOOR THICKNESS (C)
0 - 12.7mm [1/2"]
1 - 16mm [5/8"]
2 - 19mm [3/4"]

ESCUTCHEON MATERIAL (DD)
24-316 STAINLESS STEEL, POLISHED
60-ALUMINUM, CLEAR ANODIZED

MILLIMETER [INCH]
MILLIMETER [INCH]

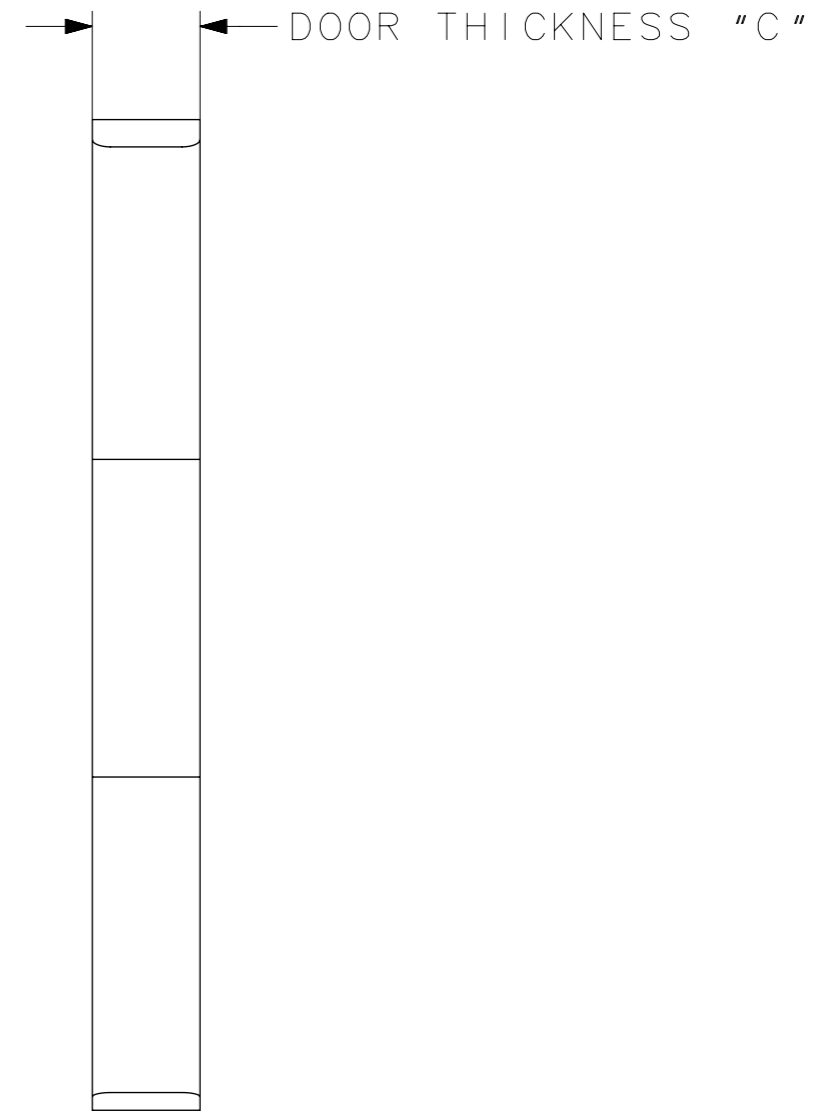
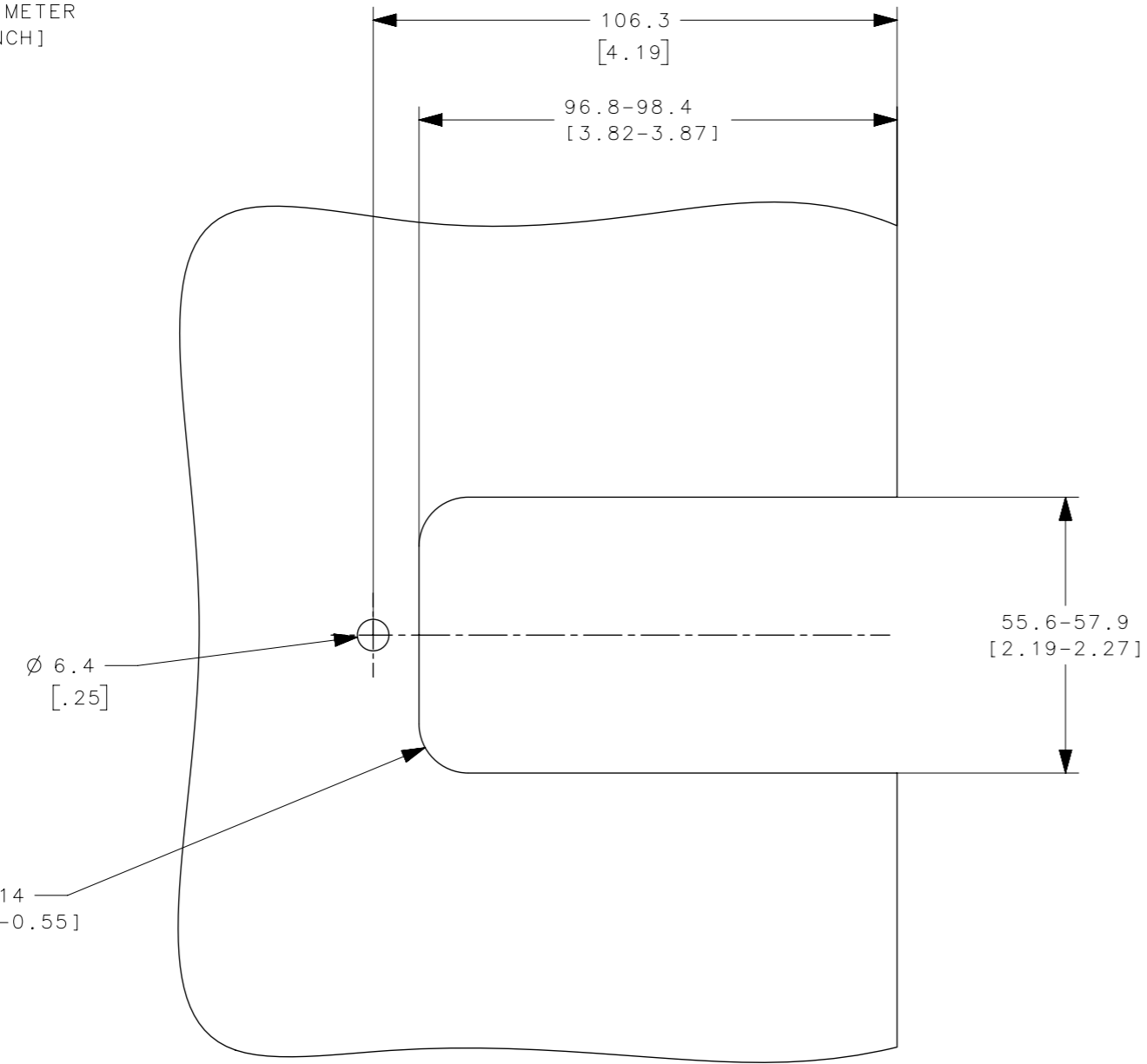
- NOTES:
1. DOOR THICKNESS "C": 12.7, 16 AND 19mm [1/2", 5/8" AND 3/4"]
 2. FOR PANEL PREPARATION INSTRUCTIONS. SEE DRAWING NUMBER J-MR-XX-1BC-24-2
 3. STRIKER FOR ADJUSTABLE SPRING BOLT, SEE DRAWING: H-MC-90-2XX-YY
 4. SEE SOUTHCO MARINE HANDBOOK FOR MORE DETAILED INSTALLATION INSTRUCTIONS

MATERIAL AND FINISH:
 ESCUTCHEON; SEE (DD)
 SPRING BOLT; POM, BLACK
 HANDLE; POM, BLACK
 HOUSING; POM, BLACK
 PRIVACY KNOB; POM, BLACK
 BUMPER; SILICONE RUBBER
 SPRING; 316 STAINLESS STEEL
 KNURL; BRASS, NICKEL PLATED
 SCREW; 316 STAINLESS STEEL

CPB NUMBER	THIRD ANGLE PROJECTION		
	MILLIMETERS [IN]		
SURFACE AREA	TOLERANCES UNLESS OTHERWISE NOTED	DESCRIPTION	
VOLUME	ALL DIMENSIONS WITHOUT TOLERANCES ARE FOR REFERENCE ONLY.	OMN I	
PROPRIETARY ITEM	PER ASME Y14.5M-2009	SIZE A3	SYSTEM NX
EXCEPT FOR USES EXPRESSLY GRANTED IN WRITING, INFORMATION DISCLOSED HEREON IS CONFIDENTIAL AND ALL RIGHTS, PATENT AND OTHERWISE, ARE RESERVED BY SOUTHCO, INC.		DWG NO. J-MR-XX-1BC-24	
		DRAWN BY MF/HJ	DATE 15DEC2009
		SCALE 1:1	SHEET 1 OF 2

REVISION HISTORY			
REV	DATE	BY	DESCRIPTION
C	17FEB2025	PBJ/VK	PRN: P2025-0226

MILLIMETER [INCH]
MILLIMETER [INCH]



NOTES:
1. PANEL PREPERATION FOR ASSEMBLIES MR-XX-1BC-DD.

CPB NUMBER	THIRD ANGLE PROJECTION	southco [®] CONNECT • CREATE • INNOVATE	
	MILLIMETERS [IN]		
SURFACE AREA	TOLERANCES UNLESS OTHERWISE NOTED	DESCRIPTION OMNI	
VOLUME	ALL DIMENSIONS WITHOUT TOLERANCES ARE FOR REFERENCE ONLY.	SIZE A3	SYSTEM NX
PROPRIETARY ITEM <small>EXCEPT FOR USES EXPRESSLY GRANTED IN WRITING, INFORMATION DISCLOSED HEREON IS CONFIDENTIAL AND ALL RIGHTS, PATENT AND OTHERWISE, ARE RESERVED BY SOUTHCO, INC.</small>	PER ASME Y14.5M-2009	DWG NO. J-MR-XX-1BC-24	DATE 15DEC2009
		DRAWN BY MF/HJ	SCALE 1:1
			SHEET 2 OF 2