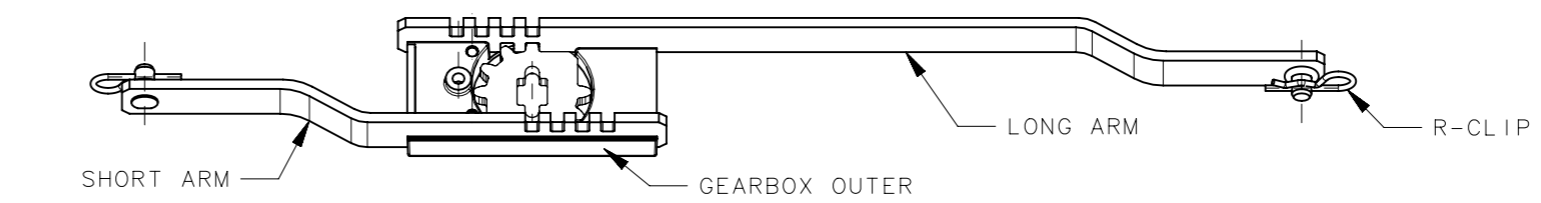
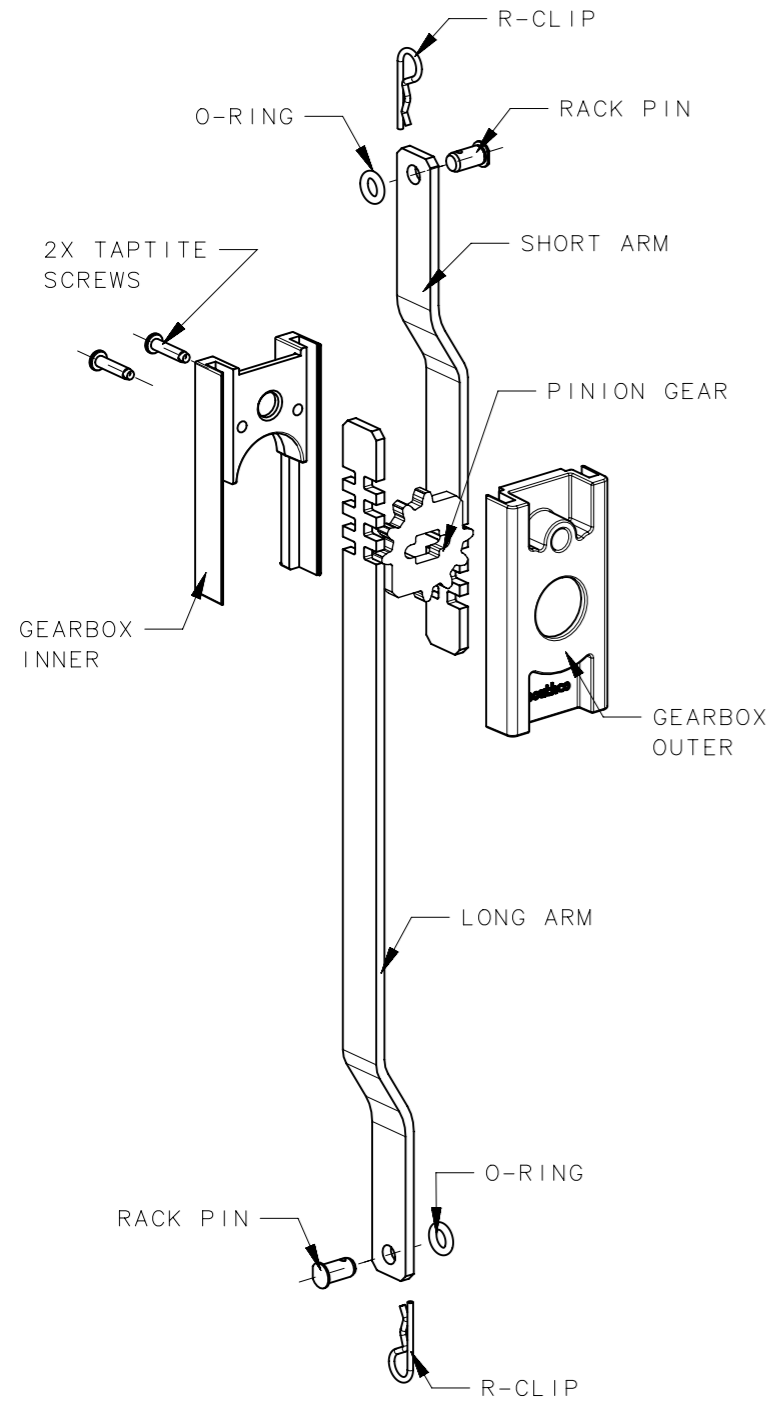
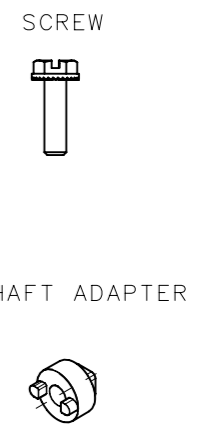
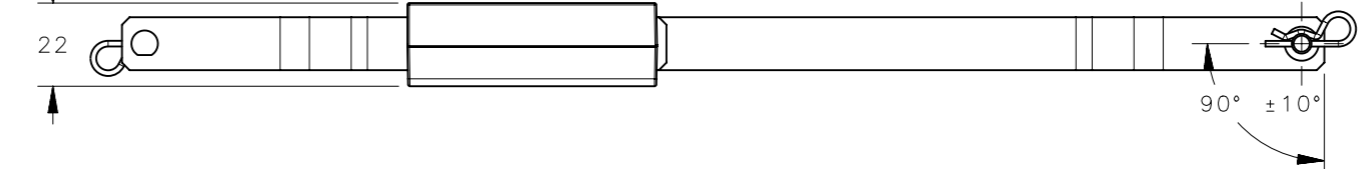
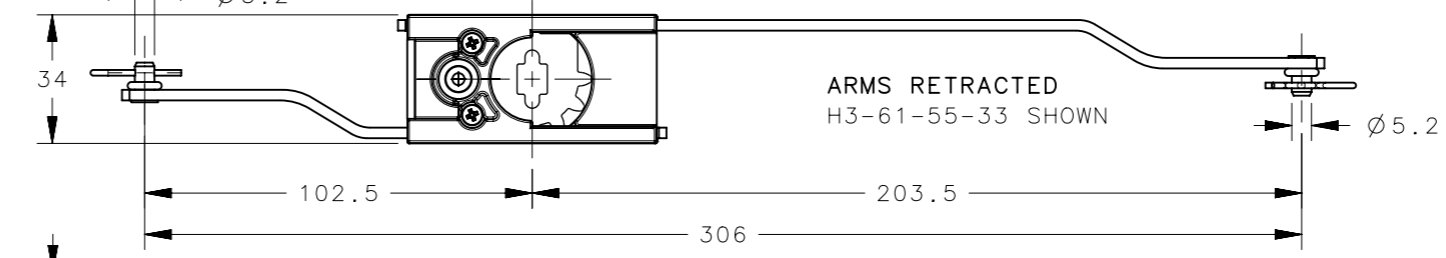
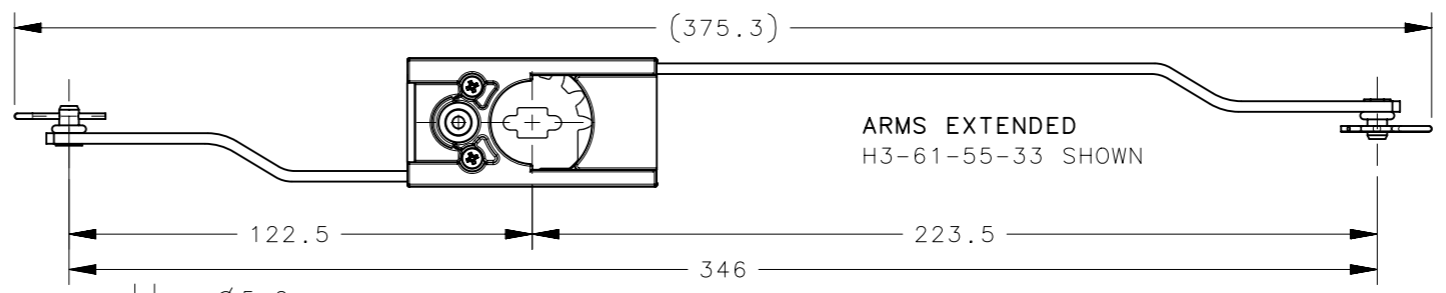
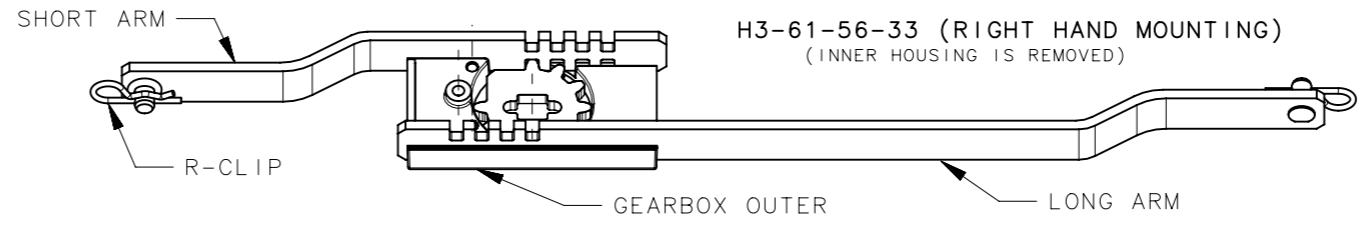


REVISION HISTORY			
REV	DATE	BY	DESCRIPTION
1	21APR2026	SSK/CRM	PRN: P2026-0588

H3-61-55-33 (LEFT HAND MOUNTING)
(INNER HOUSING IS REMOVED)



H3-61-56-33 (RIGHT HAND MOUNTING)
(INNER HOUSING IS REMOVED)



EXPLODED VIEW
H3-61-55-33 SHOWN

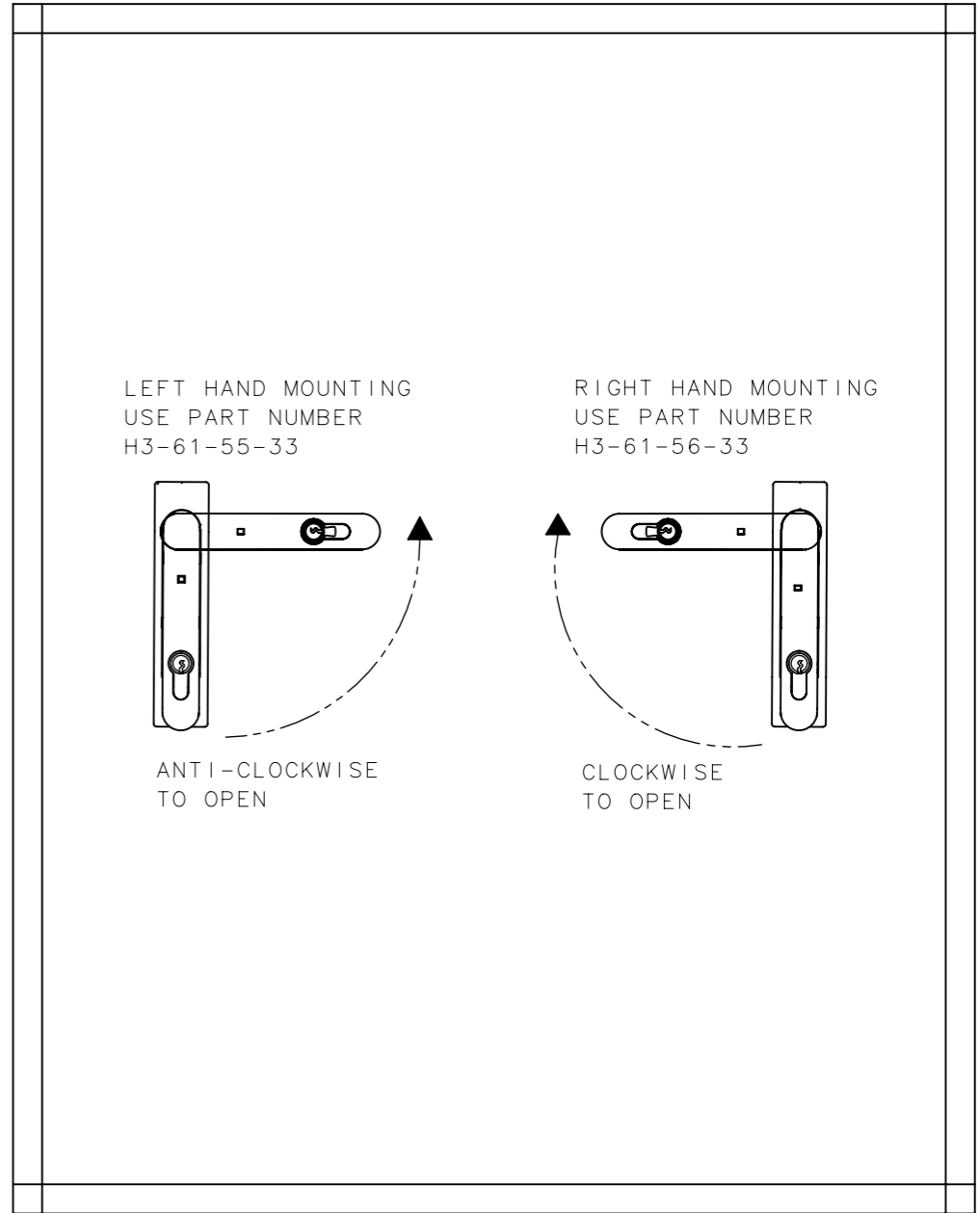
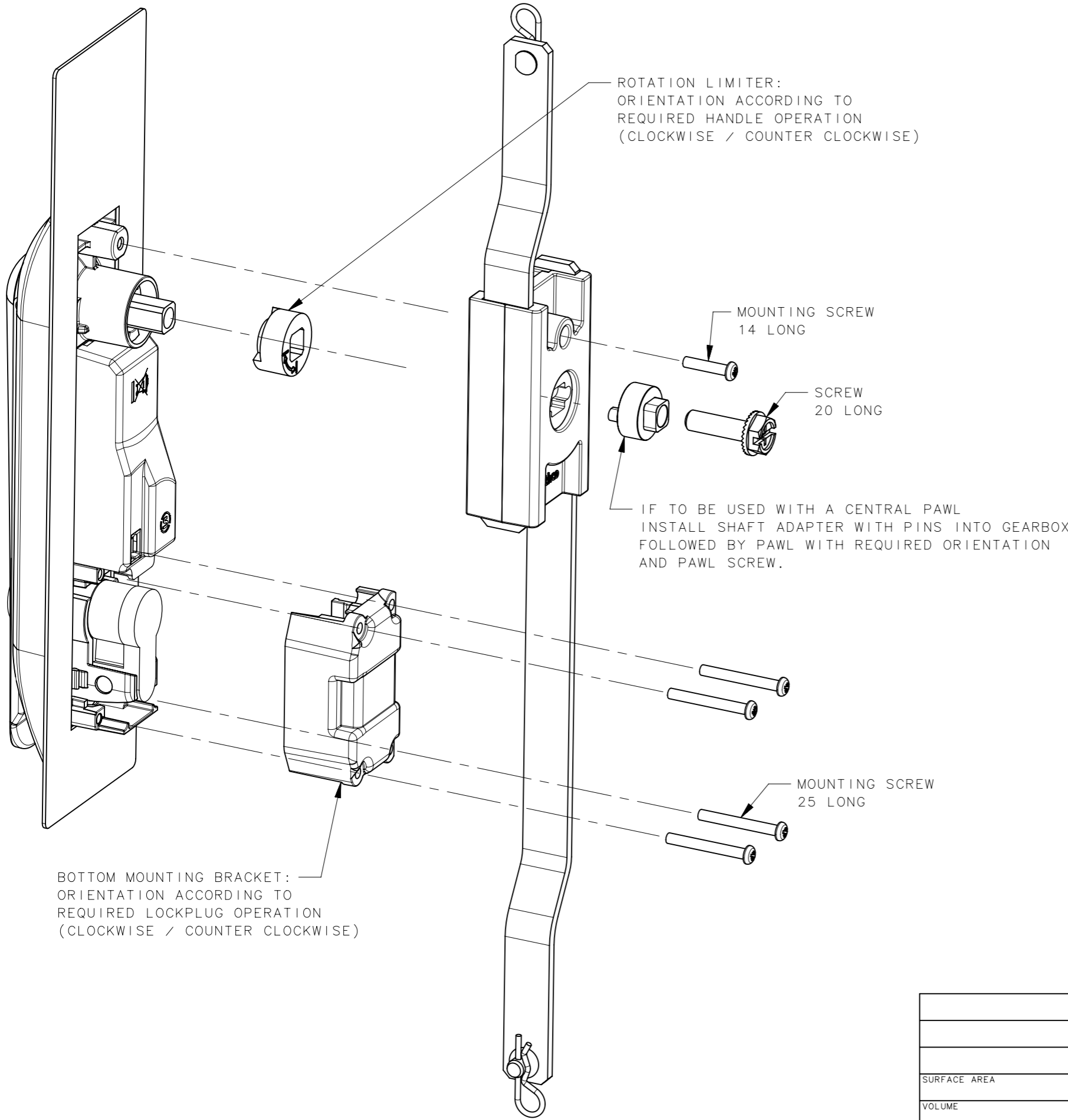
NOTES:

- PARTS TO BE SUPPLIED LAYER PACKAGED. SHAFT ADAPTOR AND SCREW TO BE BAGGED.
- COSMETIC SPECIFICATION:
ALL SURFACES UNLESS OTHERWISE STATED ARE TO CONFORM TO CLASS 'C' DESIGNATION AS DESCRIBED IN SOUTHCO COSMETIC SPECIFICATION S-121
- LEFT AND RIGHT HAND MOUNTING REFER AS VIEWED FROM THE OUTSIDE OF THE DOOR OR ENCLOSURE. SEE SHEET 2. LEFT HAND TURN HANDLE ANTI-CLOCKWISE TO OPEN RIGHT HAND TURN HANDLE CLOCKWISE TO OPEN.
- WHEN ASSEMBLING GEARBOX TO LATCH ASSEMBLY ENSURE LATCH IS IN CLOSED POSITION WITH GEARBOX RODS EXTENDED OR LATCH IS IN OPEN POSITION (90°) WITH GEARBOX RODS RETRACTED.
- FOR ADDITIONAL MOUNTING INFORMATION REFER TO J-H3-EM-60-100
- GEARBOX AVAILABLE FROM SOUTHCO IN BOTH RIGHT HAND AND LEFT HAND MOUNTING CONFIGURATION. IF GEARBOX NEEDS TO BE RECONFIGURED BETWEEN LEFT AND RIGHT MOUNTING, REMOVE 2 OFF SCREWS AND POSITION GEAR AND ARMS AS SHOWN IN VIEWS SHOWN BELOW TO ENSURE CORRECT OPERATION.

NO.	PART NUMBER	QTY	TYPE OF COMPONENT	MATERIAL	FINISH
11	-	2	RACK PIN	STAINLESS STEEL	PASSIVATED
10	-	2	O-RING	BUNA N	NATURAL
9	-	1	PAWL SCREW	STAINLESS STEEL	PASSIVATED
8	-	1	SHAFT ADAPTER	DIE CAST ZINC	CHROMATE
7	-	1	GEARBOX OUTER	DIE CAST ZINC	CHROMATE
6	-	1	PINION GEAR	STEEL	ZINC PLATE, BRIGHT CHROMATE
5	-	1	LONG ARM	STEEL	ZINC PLATE, BRIGHT CHROMATE
4	-	1	SHORT ARM	STEEL	ZINC PLATE, BRIGHT CHROMATE
3	-	1	GEARBOX INNER	DIE CAST ZINC	CHROMATE
2	-	2	TAPTITE SCREW	STEEL	ZINC PLATE, BRIGHT CHROMATE
1	-	2	R-CLIP	STAINLESS STEEL	PASSIVATED
-	H3-61-5X-33	-	GEARBOX ASSEMBLY	-	-

THIRD ANGLE PROJECTION					
MILLIMETERS [IN]					
SURFACE AREA		TOLERANCES UNLESS OTHERWISE NOTED		DESCRIPTION	
VOLUME		ALL DIMENSIONS WITHOUT TOLERANCES ARE FOR REFERENCE ONLY.		GEARBOX ASSEMBLY	
PROPRIETARY ITEM		SIZE	SYSTEM	DWG NO.	
EXCEPT FOR USES EXPRESSLY GRANTED IN WRITING, INFORMATION DISCLOSED HEREON IS CONFIDENTIAL AND ALL RIGHTS, PATENT AND OTHERWISE, ARE RESERVED BY SOUTHCO, INC.		A3	NX	J-H3-61-5X-33	
PER ASME Y14.5M-2009		DRAWN BY	DATE	SCALE	SHEET
		SKB/MGG	14APR2008	1:2	1 OF 2

REVISION HISTORY			
REV	DATE	BY	DESCRIPTION
1	21APR2026	SSK/CRM	PRN: P2026-0588



THIRD ANGLE PROJECTION		 CONNECT • CREATE • INNOVATE	
MILLIMETERS [IN]			
TOLERANCES UNLESS OTHERWISE NOTED		DESCRIPTION GEARBOX ASSEMBLY	
ALL DIMENSIONS WITHOUT TOLERANCES ARE FOR REFERENCE ONLY.		SIZE A3	SYSTEM NX
PER ASME Y14.5M-2009		DWG NO. J-H3-61-5X-33	DATE 14APR2008
DRAWN BY SKB/MGG		SCALE 1:2	SHEET 2 OF 2

PROPRIETARY ITEM
EXCEPT FOR USES EXPRESSLY GRANTED
IN WRITING, INFORMATION DISCLOSED
HEREON IS CONFIDENTIAL AND ALL
RIGHTS, PATENT AND OTHERWISE,
ARE RESERVED BY SOUTHCO, INC.