

REVISION HISTORY			
REV	DATE	BY	DESCRIPTION
C	02OCT2024	PSP/SAK	PRN: P2024-1671

PART NUMBER: E5-6-WW X-YY 1

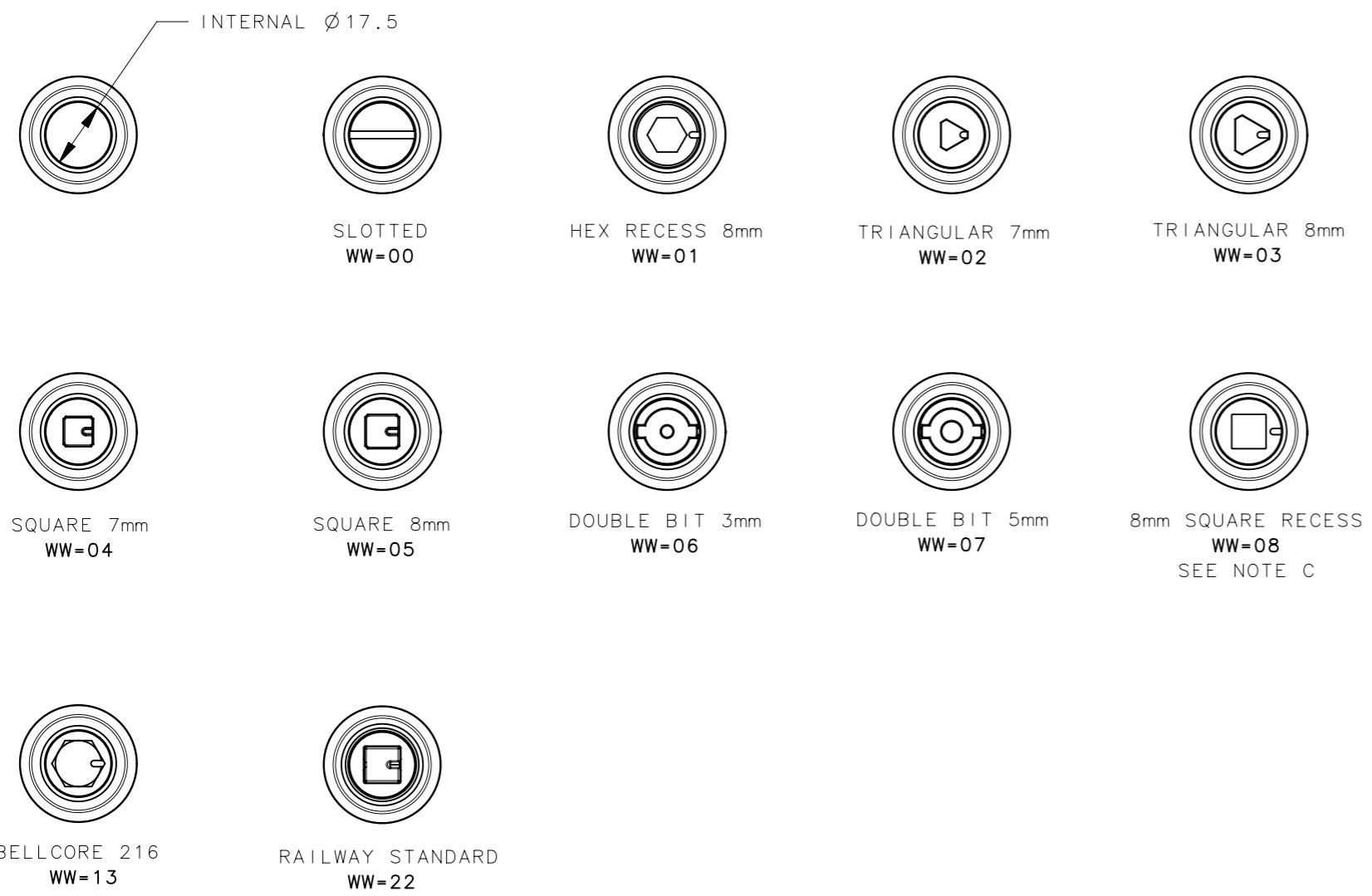
ACTUATION STYLE (SEE BELOW) CAM TYPE (SEE GRIP TABLE, SHEET 2)

MATERIAL AND FINISH:
 24 = 304 STAINLESS STEEL, PASSIVATED
 27 = 316 STAINLESS STEEL, PASSIVATED

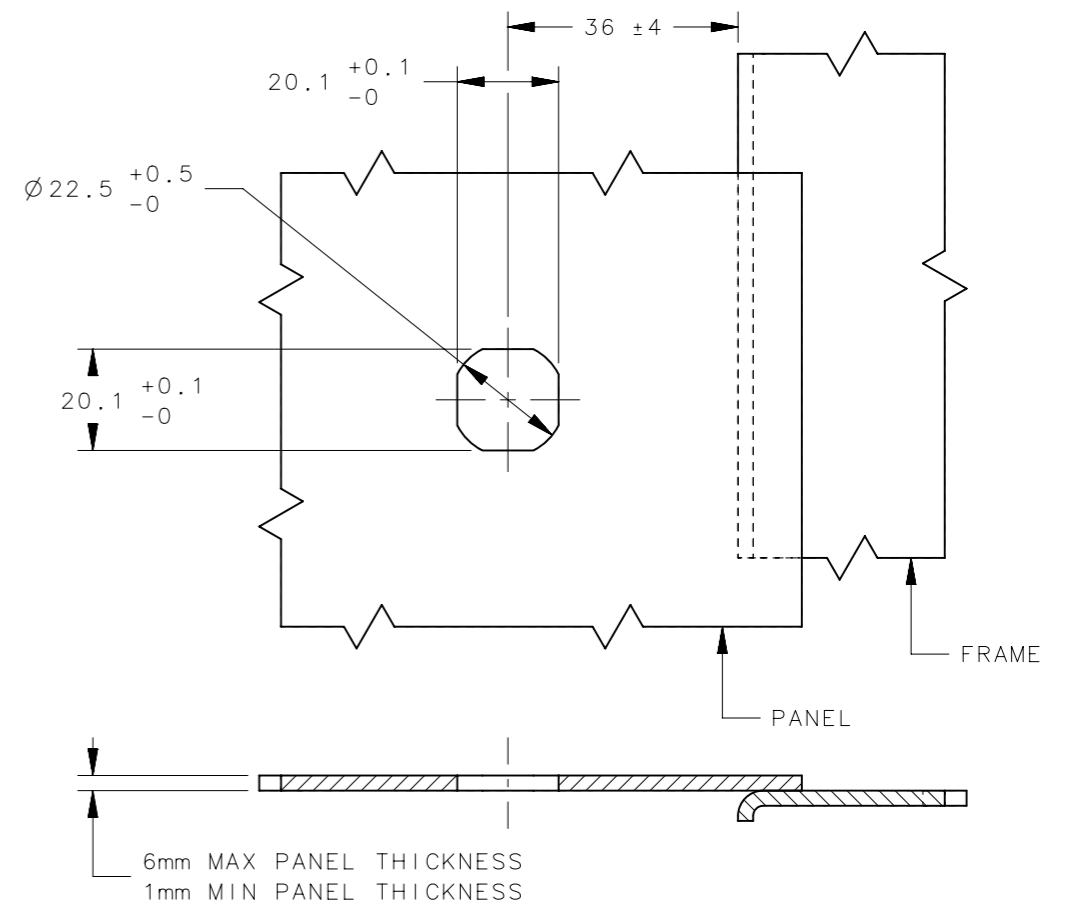
X MATERIAL AND FINISH:

- HOUSING: 304 AND 316, PASSIVATED
- DRIVE STUD: 304 AND 316, PASSIVATED
- CAM: 304 AND 316, PASSIVATED
- MOUNTING NUT: 316
- CAM MOUNTING SCREW: 316, PASSIVATED
- INTERNAL SPRING: 302, PASSIVATED
- O-RING: NITRILE, BLACK
- SEALING WASHER: LDPE (LOW DENSITY POLYETHYLENE), BLACK

WW ACTUATION STYLES:



PANEL PREPARATION:



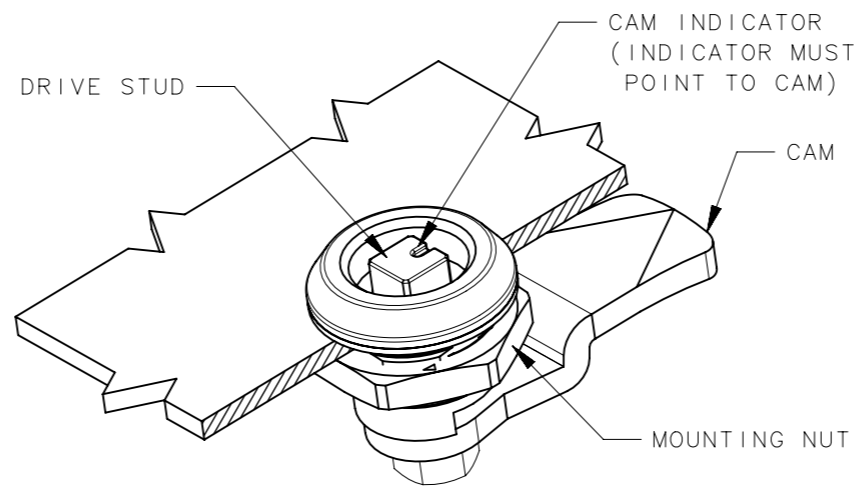
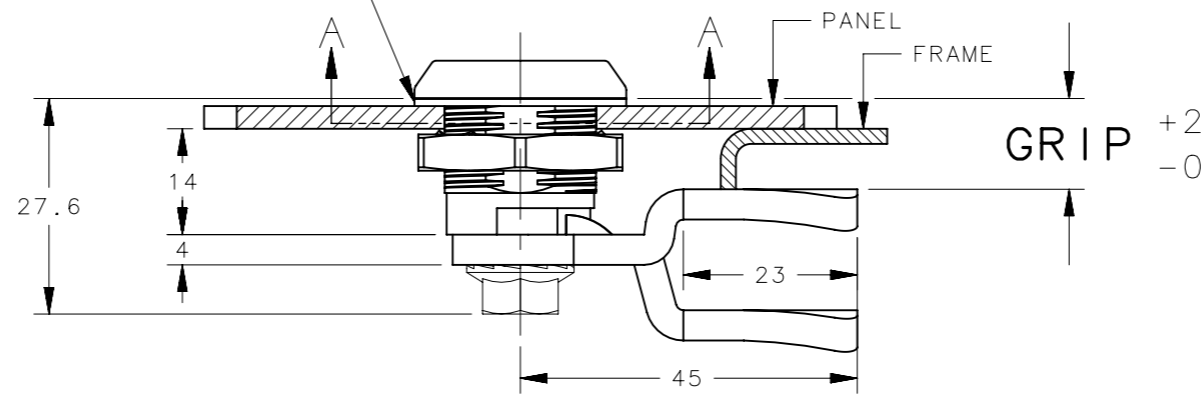
NOTES:
 A. SEE SHEET 3 FOR INSTALLATION INSTRUCTIONS.
 B. COSMETIC SPECIFICATION ALL SURFACES ABOVE A-A CONFORM TO A CLASS "B" DESIGNATION AS DESCRIBED IN SOUTHCO COSMETIC SPECIFICATION S-121-05.
 C. FOR WW=08 HEAD STYLE, THE RECESS CORNERS ARE ROUNDED.

THIRD ANGLE PROJECTION		southco [®] CONNECT • CREATE • INNOVATE	
MILLIMETERS [IN]			
TOLERANCES UNLESS OTHERWISE NOTED		DESCRIPTION E5 STAINLESS STEEL QUAD LATCH (TOOL SECURED) M22 X 23 HOUSING	
ALL DIMENSIONS WITHOUT TOLERANCES ARE FOR REFERENCE ONLY.		SIZE A3	SYSTEM NX
PER ASME Y14.5M-2009		DWG NO. J-E5-6-24	DATE 02JUL2019
PROPRIETARY ITEM EXCEPT FOR USES EXPRESSLY GRANTED IN WRITING, INFORMATION DISCLOSED HEREON IS CONFIDENTIAL AND ALL RIGHTS, PATENT AND OTHERWISE, ARE RESERVED BY SOUTHCO, INC.		DRAWN BY CBI/DMS	SCALE DNS
		SHEET 1 OF 3	

YY CAM STYLE:

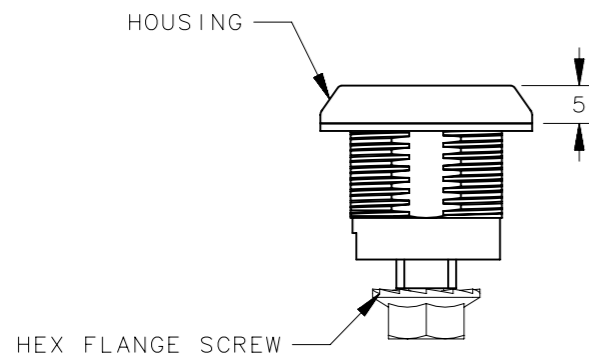
FLAT CAM

SEALING WASHER:
1mm THICK
0.5mm COMPRESSED



YY = ASSEMBLIES SHIPPED WITH CAM (NOT STOCKED)

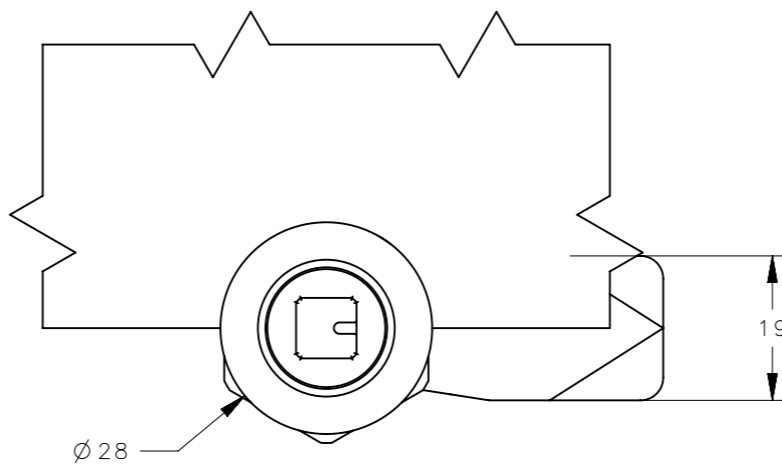
FLAT CAM	
YY	GRIP
22	42mm
21	40mm
20	38mm
19	36mm
18	34mm
17	32mm
16	30mm
15	28mm
14	26mm
13	24mm
12	22mm
11	20mm
10	18mm
09	16mm
08	14mm
07	12mm
06	10mm
05	8mm
04	6mm
03	4mm



YY = UU

CAM ORDERED AND SHIPPED SEPARATELY

PART NUMBER E5-6-05X-071 SHOWN



THIRD ANGLE PROJECTION MILLIMETERS [IN] TOLERANCES UNLESS OTHERWISE NOTED ALL DIMENSIONS WITHOUT TOLERANCES ARE FOR REFERENCE ONLY. PROPRIETARY ITEM <small>EXCEPT FOR USES EXPRESSLY GRANTED IN WRITING, INFORMATION DISCLOSED HEREON IS CONFIDENTIAL AND ALL RIGHTS, PATENT AND OTHERWISE, ARE RESERVED BY SOUTHCO, INC.</small>			southco [®] CONNECT • CREATE • INNOVATE		
	DESCRIPTION		E5 STAINLESS STEEL QUAD LATCH (TOOL SECURED) M22 X 23 HOUSING		
	SIZE	SYSTEM	DWG NO.	J-E5-6-24	
	A3	NX			
PER ASME Y14.5M-2009		DRAWN BY	DATE	SCALE	SHEET
		CBI/DMS	02JUL2019	DNS	2 OF 3

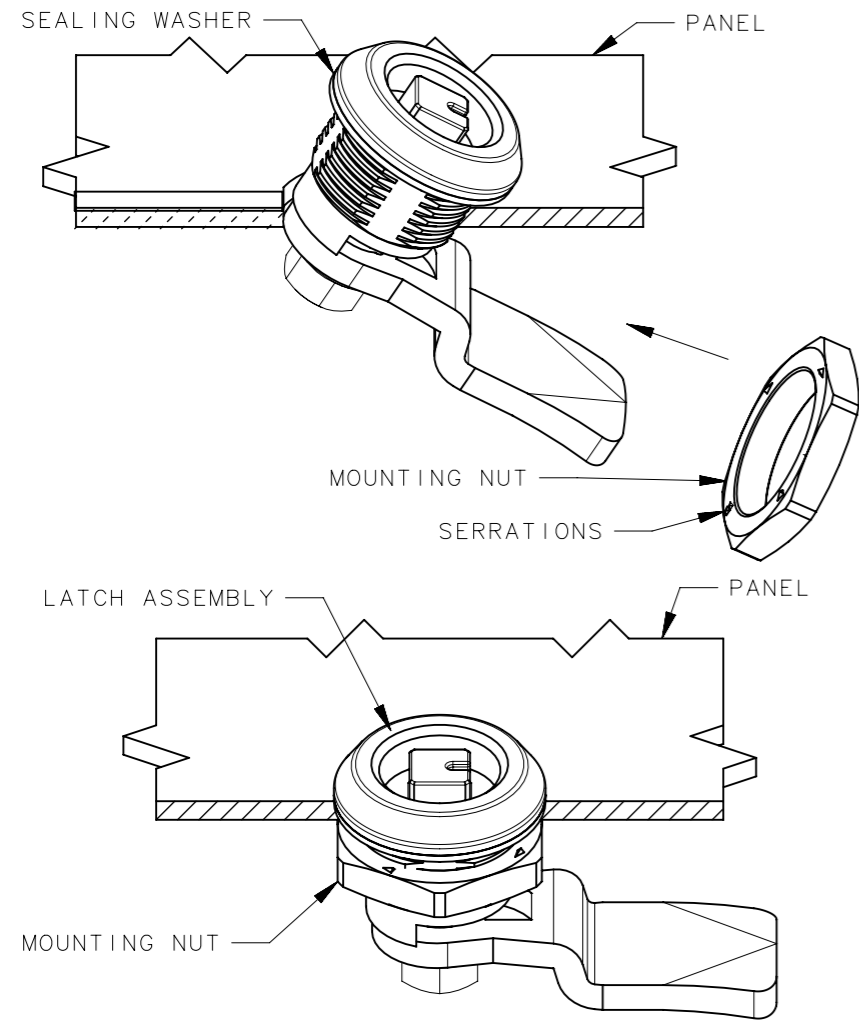
REVISION HISTORY			
REV	DATE	BY	DESCRIPTION
C	02OCT2024	PSP/SAK	PRN: P2024-1671

REVISION HISTORY			
REV	DATE	BY	DESCRIPTION
C	02OCT2024	PSP/SAK	PRN: P2024-1671

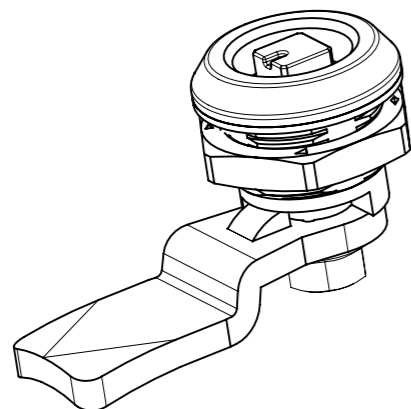
INSTALLATION METHOD 1

FLAT CAMS:
USE WHEN GRIP IS EQUAL TO OR EXCEEDS PANEL THICKNESS BY 9mm

1. PLACE SEALING WASHER ON LATCH HOUSING.
2. TILT LATCH THROUGH MOUNTING HOLE.
3. INSTALL MOUNTING NUT AND TIGHTEN TO 20 N*m MAX



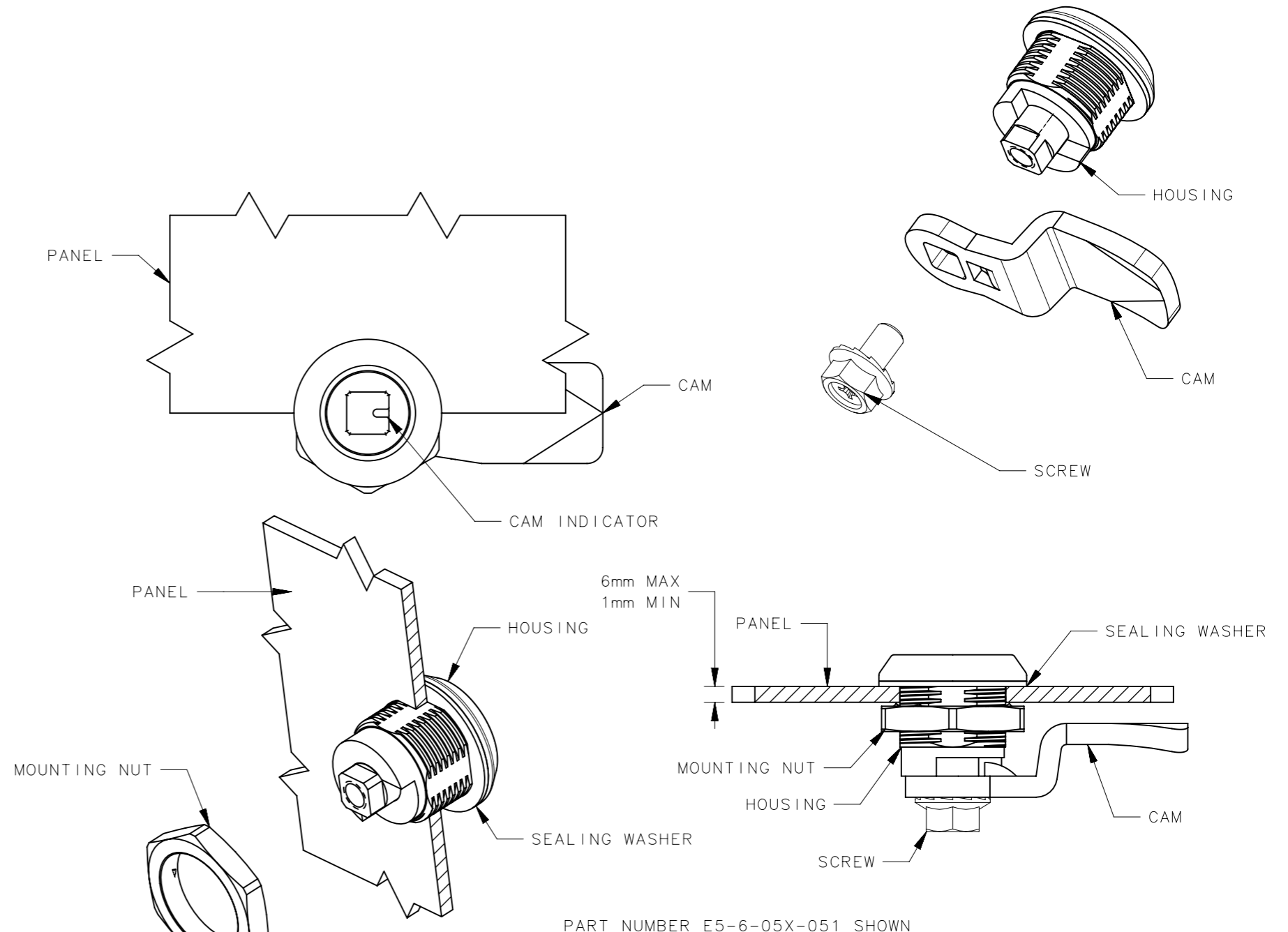
PART NUMBER E5-6-05X-131 SHOWN



INSTALLATION METHOD 2

FLAT CAMS:
REQUIRED WHEN GRIP DOES NOT EXCEED PANEL THICKNESS BY 9mm.

1. REMOVE SCREW FROM HOUSING, DETACHING CAM FROM LATCH ASSEMBLY.
2. PLACE SEALING WASHER ONTO LATCH HOUSING AND PLACE THROUGH MOUNTING HOLES.
3. INSTALL MOUNTING NUT AND TIGHTEN TO 20 N*m MAX.
4. RE-ATTACH CAM TO LATCH ASSEMBLY, ASSURE THAT CAM INDICATOR POINTS TO CAM LOCATION.
5. INSTALL SCREW AND TIGHTEN TO 10 N*m MAX.



PART NUMBER E5-6-05X-051 SHOWN

THIRD ANGLE PROJECTION				southco [®] CONNECT • CREATE • INNOVATE	
MILLIMETERS [IN]					
TOLERANCES UNLESS OTHERWISE NOTED		DESCRIPTION			
ALL DIMENSIONS WITHOUT TOLERANCES ARE FOR REFERENCE ONLY.		E5 STAINLESS STEEL QUAD LATCH (TOOL SECURED) M22 X 23 HOUSING			
PROPRIETARY ITEM	PER ASME Y14.5M-2009	SIZE A3	SYSTEM NX	DWG NO. J-E5-6-24	SCALE DNS
EXCEPT FOR USES EXPRESSLY GRANTED IN WRITING, INFORMATION DISCLOSED HEREON IS CONFIDENTIAL AND ALL RIGHTS, PATENT AND OTHERWISE, ARE RESERVED BY SOUTHCO, INC.		DRAWN BY CBI/DMS	DATE 02JUL2019	SHEET 3 OF 3	