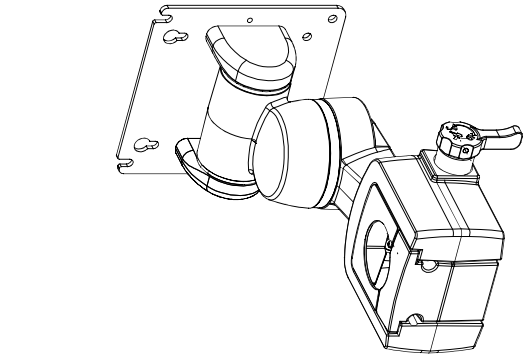
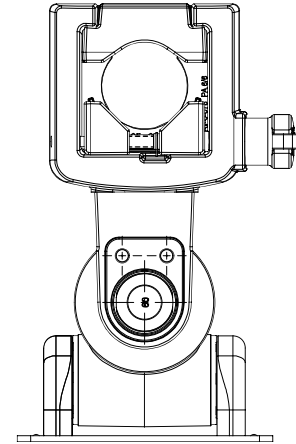
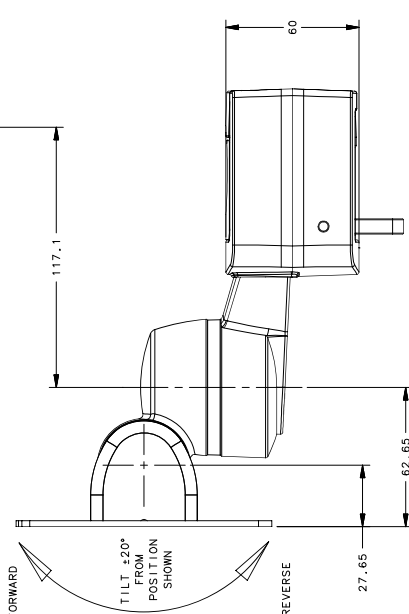
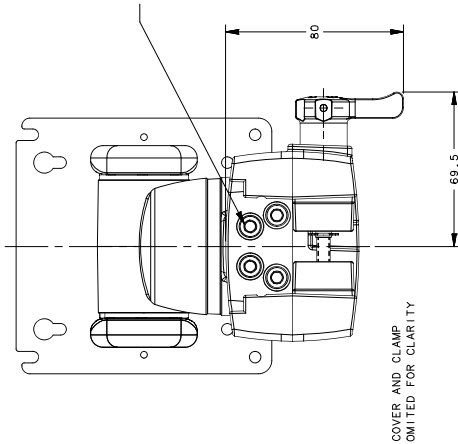
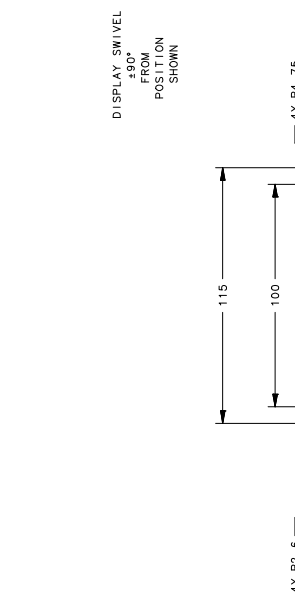
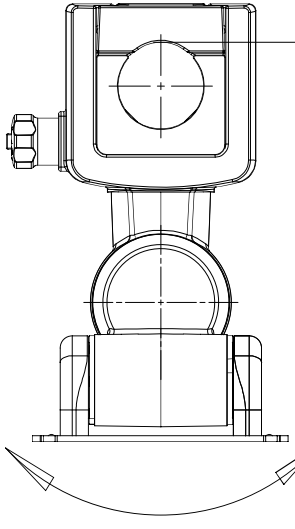
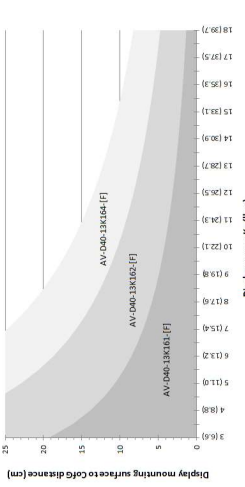


REV	DATE	BY	DESCRIPTION
A	21MAR2016	SKB/ZDS	INITIAL RELEASE

AV-D40-13K16K-[F] Model Selection Guide



NOTES:

1. FINISH PER SOUTHO COSMETIC SPECIFICATION S-121 CLASS 'C' EXTERIOR POWDER COATED SURFACES.
 2. TORQUE MEASURED WITH VESA DISPLAY PLATE IN VERTICAL (0°±5°) POSITION.
 3. MOUNTING SCREWS AFFIXING ARM TO MOUNTING PLATE ARE NOT TO BE REMOVED. IF REMOVED OR LOOSENED, REPLACE USING NEW M6-1.0x25, CLASS 12.9, HIGH TENSILE CAP HEAD SCREWS AND PLAIN WASHERS AND TIGHTEN TO 14-16Nm.
 4. FOR SELECTION OF SUITABLE TILT TORQUE WHEN USING VESA PLATE BASED MOUNTINGS USE GRAPHICAL DATA PROVIDED AS A GUIDE.
 5. THE MOUNTING HARDWARE SELECTED SHOULD PROVIDE ADEQUATE SUPPORT FOR PROPER FUNCTIONING AND WEIGHT BEARING LOAD.
 6. MATERIALS: DIE CAST ALUMINIUM, ANODIZED AND POWDER COATED. TILT AND SWIVEL HOUSING AND WALL PLATE ADAPTER: DIE CAST ALUMINIUM, POWDER COATED. TILT SLEEVE BEARING: ACETAL. COILED PIN: STEEL, PHOSPHATE COATING. TILT SHAFT, TORQUE ELEMENTS AND TILT STOP DOWEL: STEEL, NATURAL. SWIVEL ROTATIONAL STOP: ZINC, NATURAL. TILT AXIS TORSION SPRING (WHERE USED): STEEL, NICKEL PLATED. TILT SPRING: PHOSPHOR BRONZE. SWIVEL SAFETY STAINLESS STEEL AND NYLON. LUBRICANT: HYDROCARBON BASE STEEL AND NYLON.
- FOR MATERIALS AND FINISHES FOR POLE MOUNT REFER TO J-AV-6-2016

PART NUMBER	REVERSE TILT TORQUE N*m (lb*ft in)	FORWARD TILT TORQUE N*m (lb*ft in)	DISPLAY SWIVEL SYMMETRIC TORQUE	COLOR
AV-D40-13K161-76	7.9 (70)	1.13 (10)	3.0 N*m (26.5 lb*ft in)	OFFICE WHITE
AV-D40-13K161-50	7.9 (70)	1.13 (10)	3.0 N*m (26.5 lb*ft in)	BLACK
AV-D40-13K162-76	15.4 (136)	2.26 (20)	NOMINAL / 1.5 N*m (13.25 lb*ft in)	OFFICE WHITE
AV-D40-13K162-50	15.4 (136)	2.26 (20)	NOMINAL / 1.5 N*m (13.25 lb*ft in)	BLACK
AV-D40-13K163-76	8.6 (76)	6.0 (53)	MINIMUM	OFFICE WHITE
AV-D40-13K163-50	8.6 (76)	6.0 (53)	MINIMUM	BLACK
AV-D40-13K164-76	23.1 (204)	7.0 (62)	MINIMUM	OFFICE WHITE
AV-D40-13K164-50	23.1 (204)	7.0 (62)	MINIMUM	BLACK

southco
CONNECT-CREATE-INNOVATE

THIRD ANGLE PROJECTION

MILLIMETERS [IN]

TEOLERANCES UNLESS OTHERWISE NOTED

DISPLAY MOUNT, TILT AND SWIVEL NO ARM

SIZE SYSTEM: J-AV-D40-13K16

DATE: 21 JUL 2015

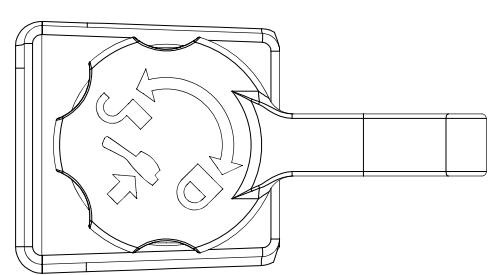
REVISED BY: D/JM/SKB

PER ASME Y14.5M-1994

SCALE: 1:1

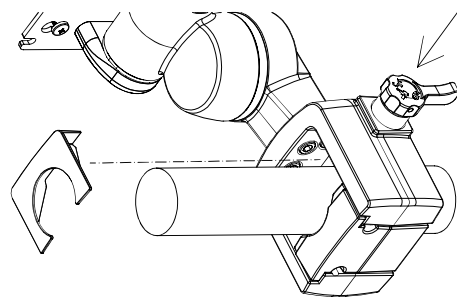
SHEET 1 OF 2

8	7	6	5	4	3	2	1
REVISION HISTORY REV. DATE BY DESCRIPTION A 21MAR2016 SKB/DJS INITIAL RELEASE							

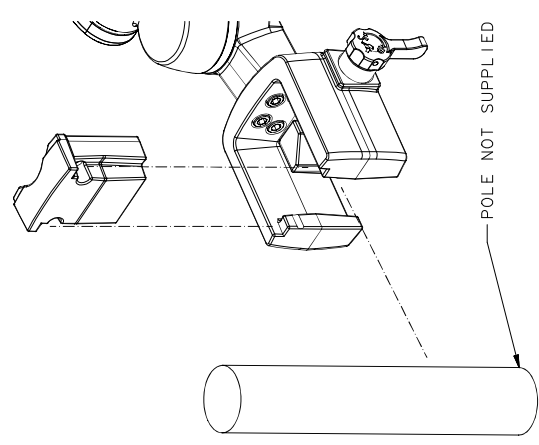


±180°

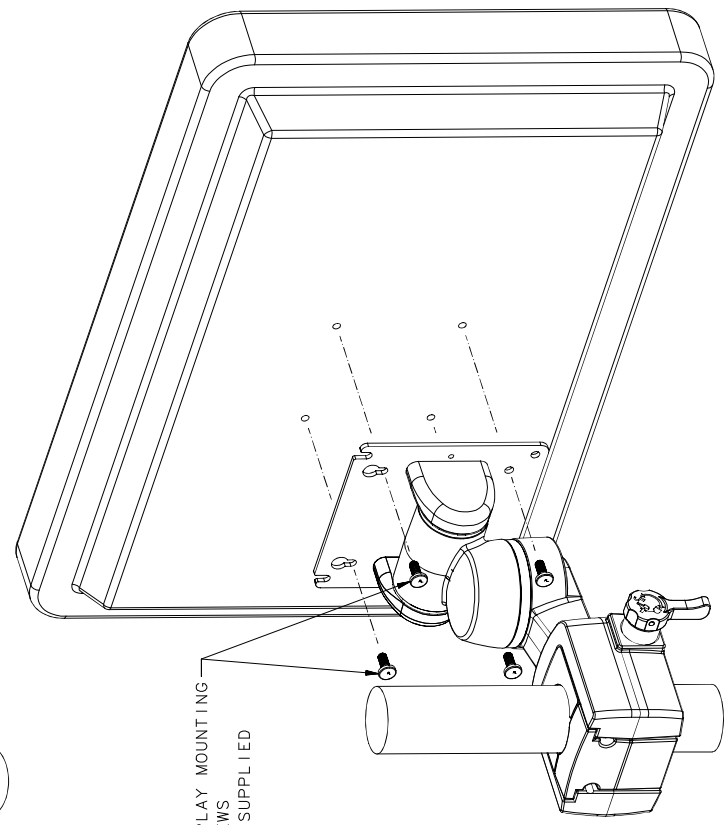
PUSH KNOB IN AND TURN TO TIGHTEN OR LOOSEN POLE



PUSH AND TURN CLOCKWISE TO TIGHTEN POLE



POLE NOT SUPPLIED

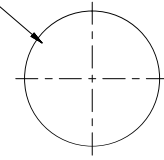


DISPLAY MOUNTING SCREWS NOT SUPPLIED

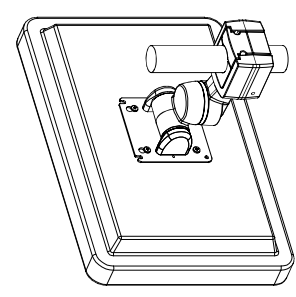
INSTALLATION INSTRUCTIONS:

- INSERT POLE INTO MOUNT.
- DROP COVER BEHIND POLE TO LOCK POLE IN MOUNT.
- PLACE TOP COVER INTO POSITION ON TOP OF MOUNT.
- PUSH AND TURN KNOB TO LOCK/UNLOCK.
- ALIGN AND INSTALL SCREWS WITH DISPLAY.

POLE -- Ø 35 -- Ø 38



MOUNTING POLE PREPARATION



THIRD ANGLE PROJECTION		southco CONNECT-CREATE-INNOVATE
MILLIMETERS (IN)		
TOLERANCES UNLESS OTHERWISE NOTED		
ALL DIMENSIONS WITHOUT TOLERANCES ARE TO BE INTERPRETED AS HOLE REFERENCE ONLY.		
ASSEMBLY: J14		
DESIGNED BY: D.J.M./S.K.B.		
PER ASME Y14.5M-1994		
DATE: 21 JUL 2015		
NO. 1		
REV. 1		
REV. 2		
REV. 3		
REV. 4		
REV. 5		
REV. 6		
REV. 7		
REV. 8		
REV. 9		
REV. 10		
REV. 11		
REV. 12		
REV. 13		
REV. 14		
REV. 15		
REV. 16		
REV. 17		
REV. 18		
REV. 19		
REV. 20		
REV. 21		
REV. 22		
REV. 23		
REV. 24		
REV. 25		
REV. 26		
REV. 27		
REV. 28		
REV. 29		
REV. 30		
REV. 31		
REV. 32		
REV. 33		
REV. 34		
REV. 35		
REV. 36		
REV. 37		
REV. 38		
REV. 39		
REV. 40		
REV. 41		
REV. 42		
REV. 43		
REV. 44		
REV. 45		
REV. 46		
REV. 47		
REV. 48		
REV. 49		
REV. 50		
REV. 51		
REV. 52		
REV. 53		
REV. 54		
REV. 55		
REV. 56		
REV. 57		
REV. 58		
REV. 59		
REV. 60		
REV. 61		
REV. 62		
REV. 63		
REV. 64		
REV. 65		
REV. 66		
REV. 67		
REV. 68		
REV. 69		
REV. 70		
REV. 71		
REV. 72		
REV. 73		
REV. 74		
REV. 75		
REV. 76		
REV. 77		
REV. 78		
REV. 79		
REV. 80		
REV. 81		
REV. 82		
REV. 83		
REV. 84		
REV. 85		
REV. 86		
REV. 87		
REV. 88		
REV. 89		
REV. 90		
REV. 91		
REV. 92		
REV. 93		
REV. 94		
REV. 95		
REV. 96		
REV. 97		
REV. 98		
REV. 99		
REV. 100		

F	E	D	C	B	A		
8	7	6	5	4	3	2	1