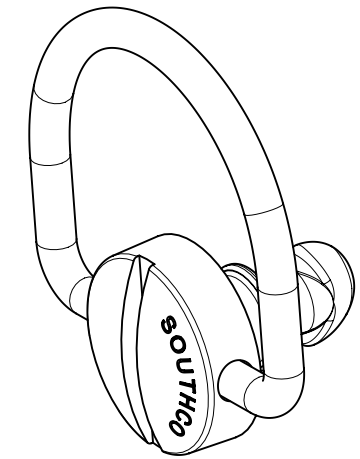
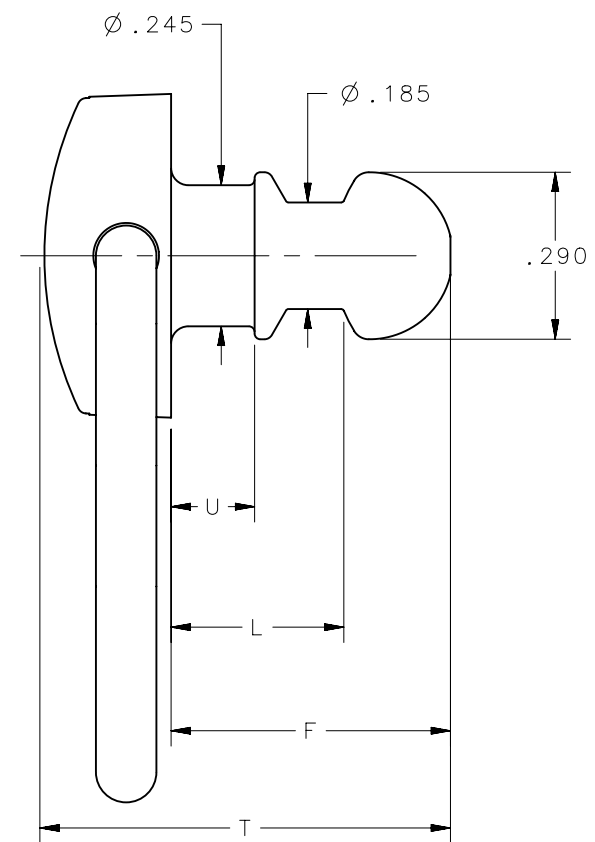
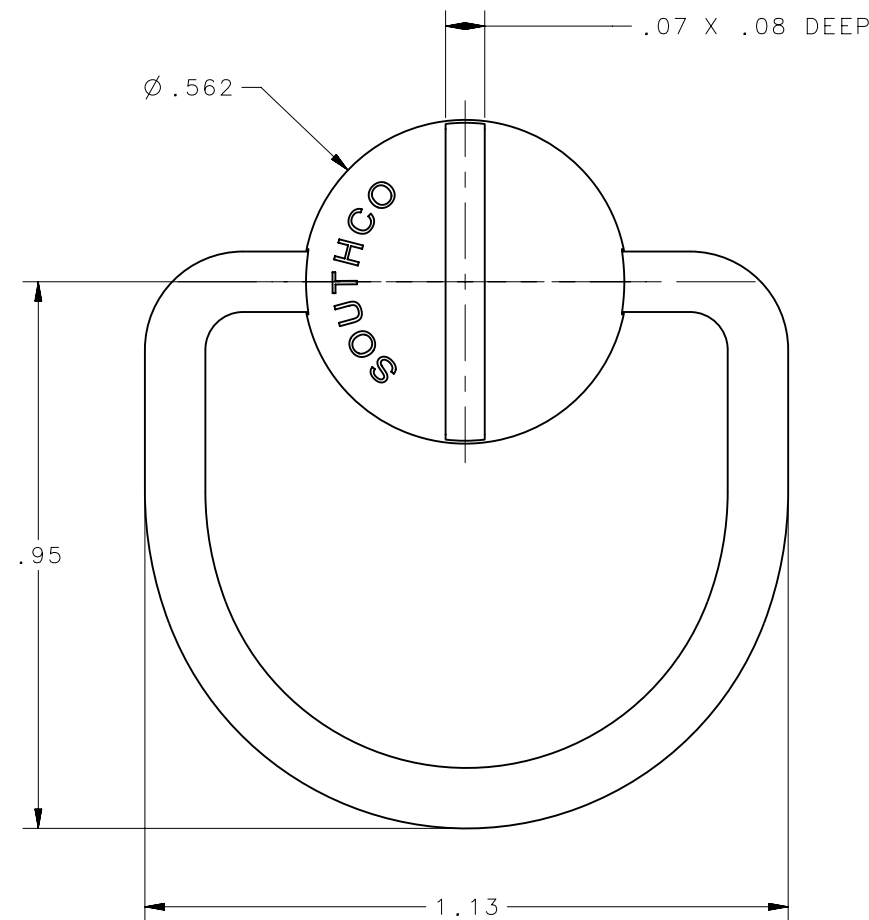


PART NUMBER	U	L	F	T
85-15-060-16	.165	.320	.505	.729
85-15-080-16	.185	.340	.525	.749
85-15-100-16	.205	.360	.545	.769
85-15-120-16	.225	.380	.565	.789
85-15-140-16	.245	.400	.585	.809
85-15-160-16	.265	.420	.605	.829
85-15-180-16	.285	.440	.625	.849
85-15-200-16	.305	.460	.645	.869
85-15-220-16	.325	.480	.665	.889
85-15-240-16	.345	.500	.685	.909
85-15-260-16	.365	.520	.705	.929
85-15-280-16	.385	.540	.725	.949
85-15-300-16	.405	.560	.745	.969
85-15-320-16	.425	.580	.765	.989
85-15-340-16	.445	.600	.785	1.009
85-15-360-16	.465	.620	.805	1.029
85-15-380-16	.485	.640	.825	1.049
85-15-400-16	.505	.660	.845	1.069
85-15-420-16	.525	.680	.865	1.089
85-15-440-16	.545	.700	.885	1.109
85-15-460-16	.565	.720	.905	1.029
85-15-480-16	.585	.740	.925	1.149
85-15-500-16	.605	.760	.945	1.169
85-15-520-16	.625	.780	.965	1.189
85-15-540-16	.645	.800	.985	1.209
85-15-560-16	.665	.820	1.005	1.229
85-15-580-16	.685	.840	1.025	1.249
85-15-600-16	.705	.860	1.045	1.269
85-15-620-16	.725	.880	1.065	1.289
85-15-640-16	.745	.900	1.085	1.309
85-15-660-16	.765	.920	1.105	1.329
85-15-680-16	.785	.940	1.125	1.349
85-15-700-16	.805	.960	1.145	1.369
85-15-720-16	.825	.980	1.165	1.389
85-15-740-16	.845	1.000	1.185	1.409
85-15-760-16	.865	1.020	1.205	1.429
85-15-780-16	.885	1.040	1.225	1.449
85-15-800-16	.905	1.060	1.245	1.469
85-15-820-16	.925	1.080	1.265	1.489
85-15-840-16	.945	1.100	1.285	1.509
85-15-860-16	.965	1.120	1.305	1.529
85-15-880-16	.985	1.140	1.325	1.549
85-15-900-16	1.005	1.160	1.345	1.569
85-15-920-16	1.025	1.180	1.365	1.589
85-15-940-16	1.045	1.200	1.385	1.609
85-15-960-16	1.065	1.220	1.405	1.629
85-15-980-16	1.085	1.240	1.425	1.649
85-15-1000-16	1.105	1.260	1.445	1.669

REVISION HISTORY			
REV	DATE	BY	DESCRIPTION
R	14MAR2025	HPT/SAK	PRN: P2025-0384



SCALE 2:1



NOTES :

- A. MATERIAL AND FINISH :  
STEEL, CASE HARDENED, ZINC PLATED, CHROMATE PLUS SEALER.
- B. FOR STAINLESS STEEL, PASSIVATED MATERIAL AND FINISH REPLACE -16 WITH -20.
- C. FOR STAINLESS STEEL WITH BLACK OXIDE FINISH, REPLACE -16 WITH -44.

THIRD ANGLE PROJECTION			
INCHES [MM]			
TOLERANCES UNLESS OTHERWISE NOTED		DESCRIPTION NO. 85 BAIL STYLE RA STUD	
ALL DIMENSIONS WITHOUT TOLERANCES ARE FOR REFERENCE ONLY.		SIZE B	SYSTEM NX
PER ASME Y14.5M-2009		DWG NO. J-85-17-16-1	SCALE 3:1
<small>PROPRIETARY ITEM EXCEPT FOR USES EXPRESSLY GRANTED IN WRITING, INFORMATION DISCLOSED HEREON IS CONFIDENTIAL AND ALL RIGHTS, PATENT AND OTHERWISE, ARE RESERVED BY SOUTHCO, INC.</small>		DRAWN BY ESK/RJK	DATE 14JULY1958
		SHEET 1 OF 1	