

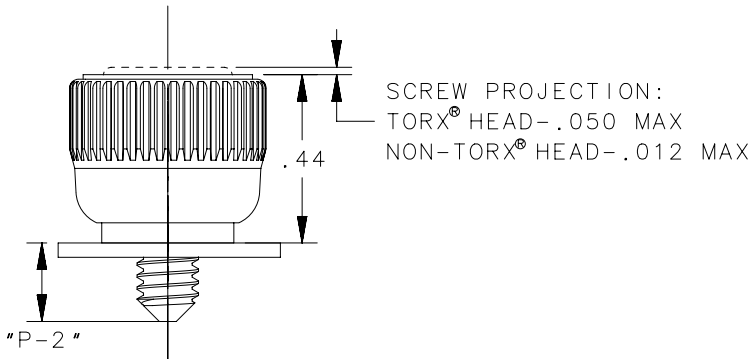
TO INSTALL FASTENER.

1. DRILL OR PUNCH HOLE AS SHOWN BELOW
2. PLACE FERRULE INTO INSTALLATION HOLE.
3. PROVIDE SOLID BACK-UP BEHIND HOLE WITH CLEARANCE HOLE $\phi .173^{+.008}_{-.004}$ FOR SCREW.
4. PRESS PART INTO PANEL UNTIL RECOMMENDED LOAD IS APPLIED.
5. FOR INSTALLATION FORCE GUIDELINES SEE DRAWING TD-47-8-J

PART NUMBER	SCREW PROJECTION		PANEL THICKNESS	
	P-1	P-2	A.MIN	A.MAX
47-60-3X1-YZ	.02	.22	.036	-
47-61-3X1-YZ	.09	.28	.036	-
47-62-3X1-YZ	.15	.35	.036	-
47-63-3X1-YZ	.21	.41	.036	-

REVISION HISTORY			
REV	DATE	BY	DESCRIPTION
L	13DEC2024	HPT/SAK	PRN: P2024-2072

NOTE- KNOB AND SCREW ARE SPRING LOADED OUTWARD, AS SHOWN BELOW



FASTENED
PART NUMBER:
47-60-3X1-Y0 SHOWN

"X" SCREW RECESS

- 0 - SLOTTED
- 2 - No. 2 PHILLIPS
- 4 - T25 TORX®
- 6 - T25 TORX®/SLOT COMBINATION
- 8 - No.2 PHILLIPS/SLOT COMBINATION

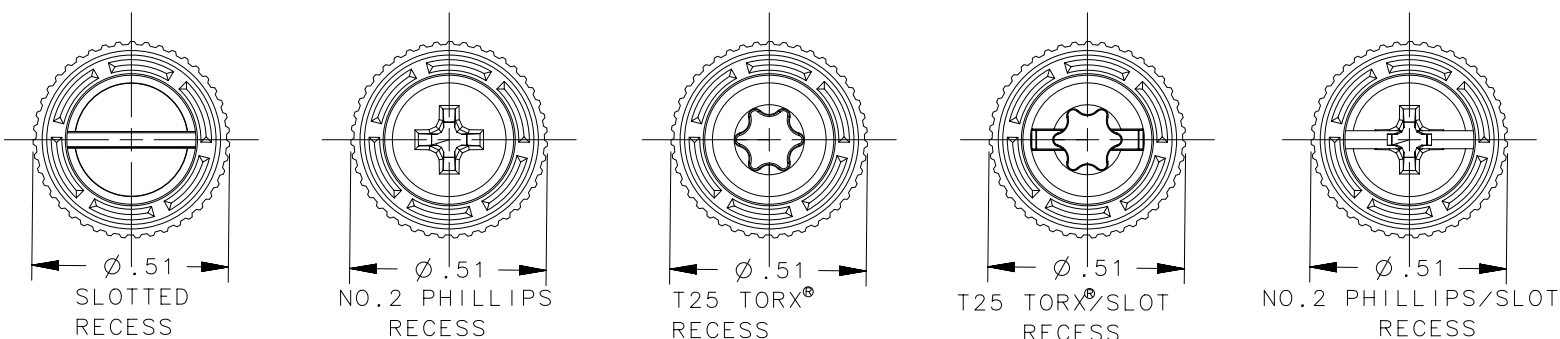
"Y" FINISH ON KNOB & SCREW HEAD

- 2 - BRIGHT
- 4 - CUSTOM COLOR, SEE J-47-0-3 FOR ADDITIONAL SUFFIX
- 6 - BLACK POWDER COATED

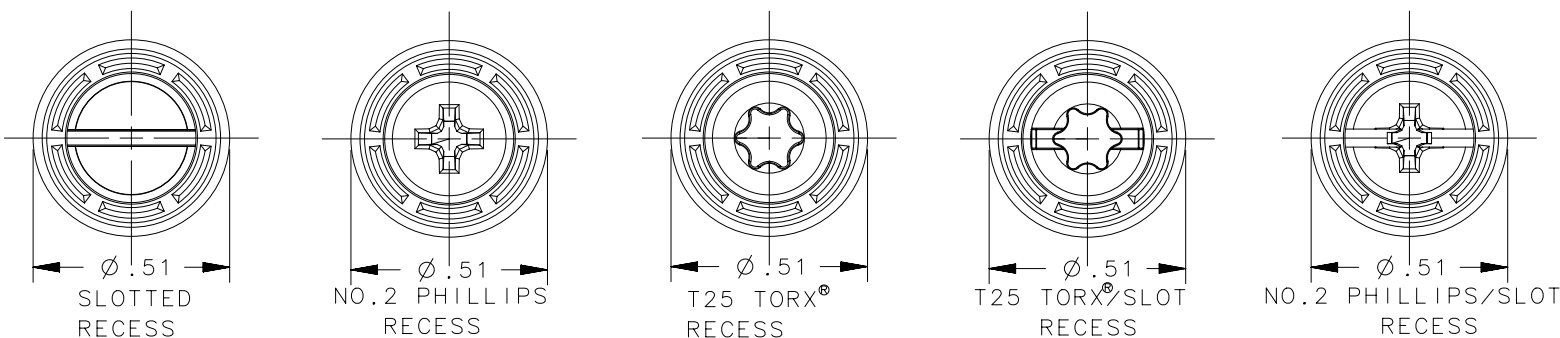
"Z" KNOB TYPE AND SCREW MATERIAL

KNOB	SCREW MATERIAL	RECESS	
		SLOTTED PHILLIPS	TORX® TORX®/SLOT PHILLIPS/SLOT
KNURLED	STAINLESS STEEL	0	N/A
SMOOTH	STAINLESS STEEL	1	N/A
KNURLED	STEEL	4	0
SMOOTH	STEEL	5	1

KNURLED KNOBS



SMOOTH KNOBS

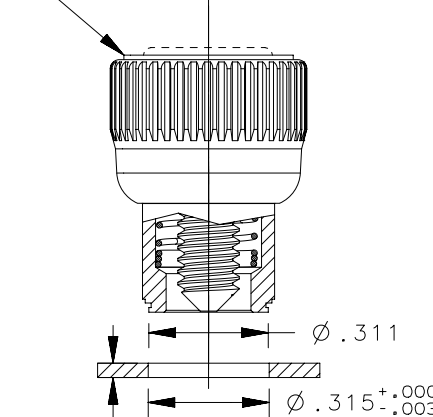


MATERIAL AND FINISH:

KNOB: 6000 SERIES ALUMINIUM
 SCREW: 400 SERIES STAINLESS STEEL, PASSIVATED; OR HARDENED CARBON STEEL, ZINC PLATE, CHROMATE PLUS SEALER (SEE "Z" TABLE) (NOTE- KNOB AND TOP OF SCREW AVAILABLE WITH POWDER COATING; SEE "Y" TABLE)
 FERRULE: HARDENED CARBON STEEL; ZINC PLATE, CHROMATE PLUS SEALER
 SPRING: 300 SERIES STAINLESS STEEL, PASSIVATED

TORX® IS A REGISTERED TRADEMARK OF THE CANCAR DIVISION OF TEXTRON, INC.

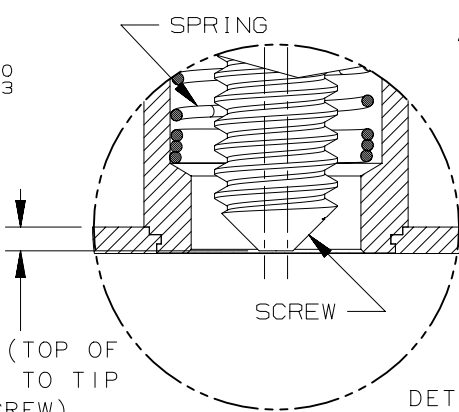
FLUSH RETRACTING SCREW ASSEMBLY SHOWN P-1=.02



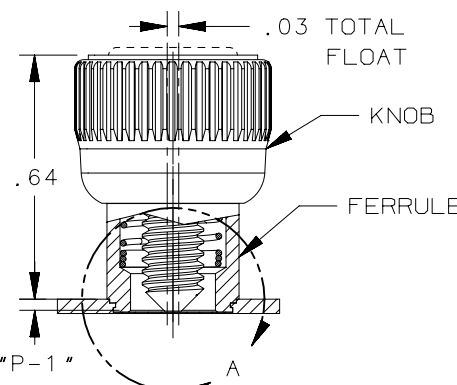
"A" MIN PANEL THICKNESS

PANEL PREPARATION
PART NUMBER:
47-60-3X1-Y0 SHOWN

"P-1" (TOP OF PANEL TO TIP OF SCREW)



DETAIL A
SCALE 4:1



UNFASTENED
PART NUMBER:
47-60-3X1-Y0 SHOWN

CPB NUMBER	STANDARD	THIRD ANGLE PROJECTION		
		INCHES [MM]		
		TOLERANCES UNLESS OTHERWISE NOTED	DESCRIPTION SOUTHCO No. 47 CAPTIVE FASTENER 8-32 THREAD, PRESS-IN STYLE	
		ALL DIMENSIONS WITHOUT TOLERANCES ARE FOR REFERENCE ONLY.	SIZE B	SYSTEM NX
		PER ASME Y14.5M-2009	DWG NO. J-47-3-832	SCALE 2:1
<small>PROPRIETARY ITEM EXCEPT FOR USES EXPRESSLY GRANTED IN WRITING, INFORMATION DISCLOSED HEREON IS CONFIDENTIAL AND ALL RIGHTS, PATENT AND OTHERWISE, ARE RESERVED BY SOUTHCO, INC.</small>		DATE 16JUN94	SCALE 2:1	SHEET 1 OF 1