

TO INSTALL FASTENER.

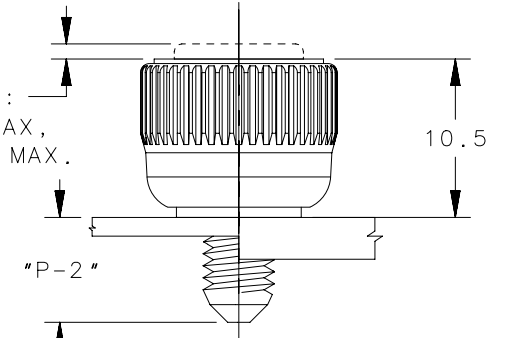
1. DRILL, THEN COUNTERSINK ACCORDING TO THE REQUIRED "B" DIMENSION.
2. INSERT FASTENER AND FLARE INTO COUNTERSINK WITH INSTALLATION TOOL PART NUMBER 47-115.
3. FOR INSTALLATION FORCE GUIDELINES SEE DRAWING TD-47-11-J.

PART NUMBER	SCREW PROJECTION		PANEL THICKNESS		B	L
	P-1	P-2	A.MIN	A.MAX		
47-80-5X2-YZ	1.2	6.3	1.5	3.2	0.4	1.8
47-81-5X2-YZ	2.4	7.9				
47-82-5X2-YZ	4.4	9.5				
47-83-5X2-YZ	6	11.1	3.2	4.8	1.6	3.4
47-80-5X4-YZ	2.8	7.9				
47-81-5X4-YZ	4.4	9.5				
47-82-5X4-YZ	6	11.1	4.8	6.4	3.2	5
47-80-5X6-YZ	4.4	9.5				
47-81-5X6-YZ	6	11.1				
47-80-5X8-YZ	6	11.1	6.4	7.9	4.8	6.6

REVISION HISTORY			
REV	DATE	BY	DESCRIPTION
M	10MAR2025	SPC/GJL	PRN: P2025-0346

NOTE: KNOB AND SCREW ARE SPRING LOADED OUTWARD, AS SHOWN BELOW

SCREW PROJECTION:
TROX® HEADS-1.3 MAX,
NON-TROX® HEADS-0.3 MAX.



FASTENED
PART NUMBER:
47-80-5X2-Y0 SHOWN

"X" SCREW RECESS

- 0 - SLOTTED
- 2 - No. 2 PHILLIPS
- 4 - T25® TORX
- 6 - T25® TORX/SLOT COMBINATION
- 8 - No.2 PHILLIPS/SLOT COMBINATION

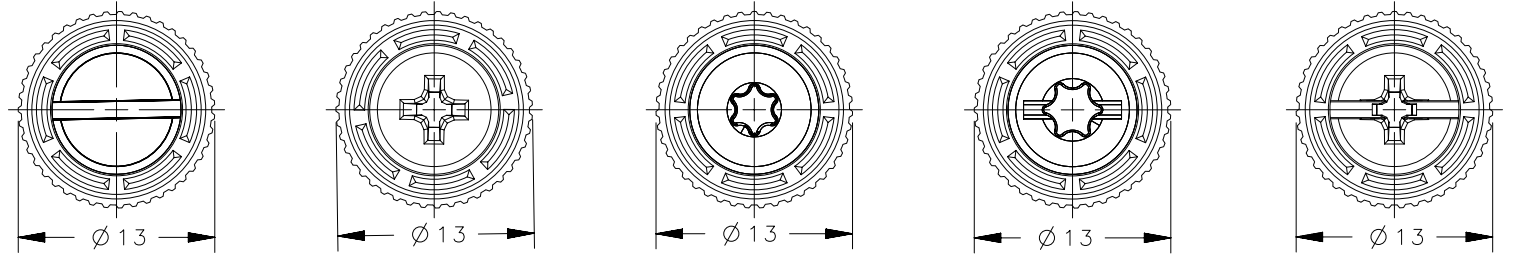
"Y" FINISH ON KNOB & SCREW HEAD

- 1 - BRIGHT
- 4 - CUSTOM COLOR, SEE J-47-0-3 FOR ADDITIONAL SUFFIX
- 6 - BLACK POWDER COATED

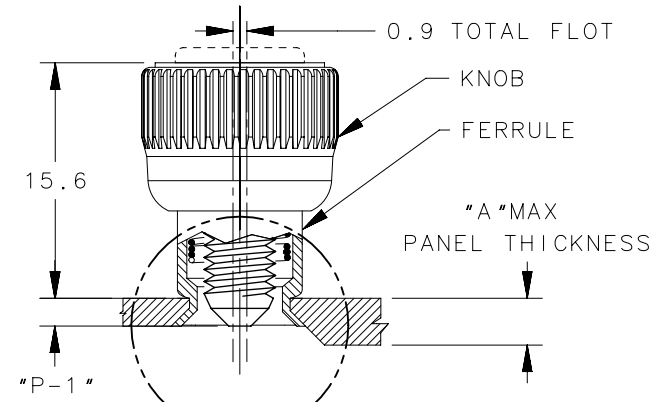
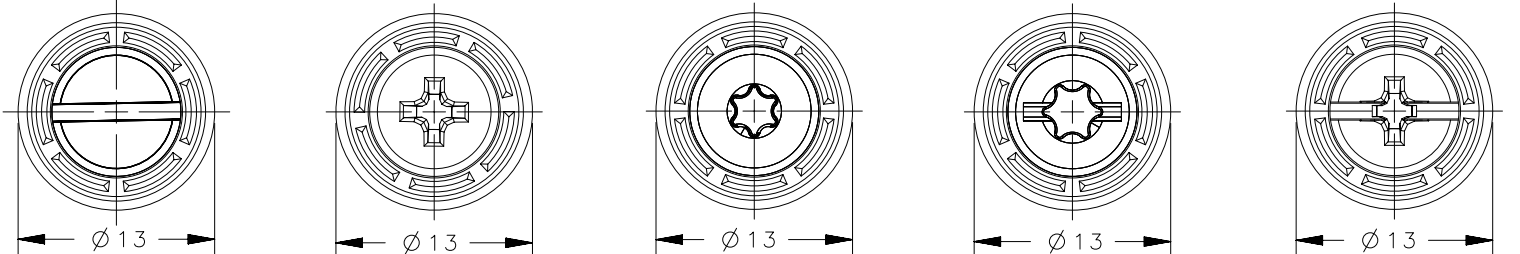
"Z" KNOB TYPE AND SCREW MATERIAL

KNOB	SCREW MATERIAL	RECESS	
		SLOTTED PHILLIPS	TORX® TORX®/SLOT PHILLIPS/SLOT
KNURLED	STAINLESS STEEL	0	N/A
SMOOTH	STAINLESS STEEL	1	N/A
KNURLED	STEEL	4	0
SMOOTH	STEEL	5	1

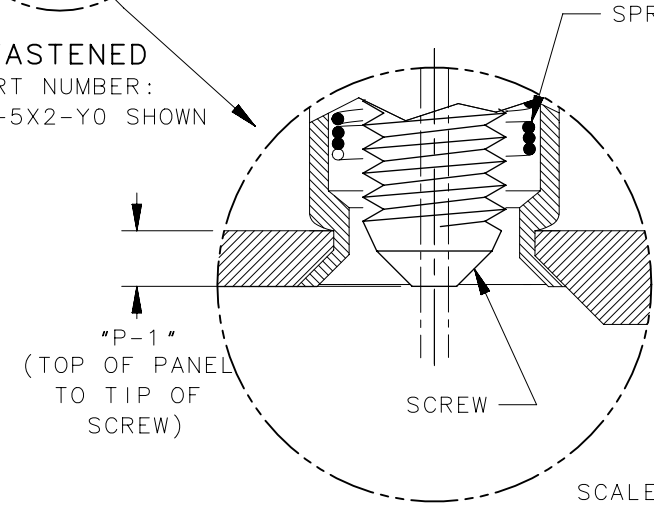
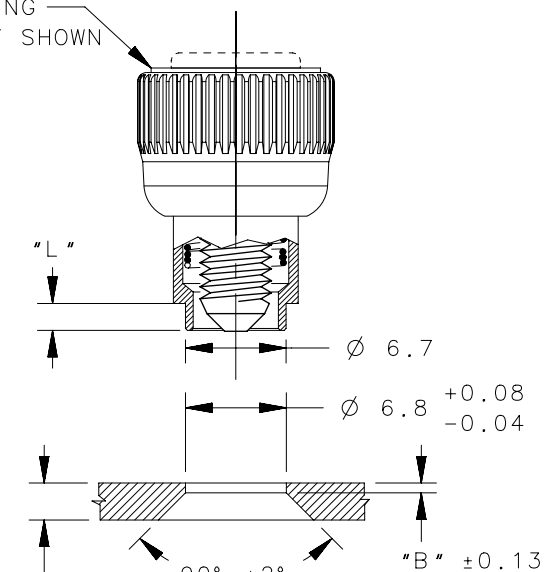
KNURLED KNOBS



SMOOTH KNOBS



FLUSH RETRACTING SCREW ASSEMBLY SHOWN
P-1=1.2



MATERIAL AND FINISH:

KNOB: 6000 SERIES ALUMINIUM
SCREW: 400 SERIES STAINLESS STEEL, PASSIVATED; OR HARDENED CARBON STEEL, ZINC PLATE, CHROMATE PLUS SEALER (SEE "Z" TABLE) (NOTE: KNOB AND TOP OF SCREW AVAILABLE WITH POWDER COATING; SEE "Y" TABLE)
FERRULE: 6000 SERIES ALUMINUM, NATURAL
SPRING: 300 SERIES STAINLESS STEEL, PASSIVATED

TORX® IS A REGISTERED TRADEMARK OF THE CAMCAR DIVISION OF TEXTRON, INC.

CPB NUMBER	STANDARD	THIRD ANGLE PROJECTION				
		INCHES [MM]	DESCRIPTION SOUTHCO No. 47 CAPTIVE FASTENER M5 THREAD, FLARE-IN STYLE			
		TOLERANCES UNLESS OTHERWISE NOTED				
		ALL DIMENSIONS WITHOUT TOLERANCES ARE FOR REFERENCE ONLY.	SIZE	SYSTEM	DWG NO.	
			B	NX	J-47-1-M5	
		PER ASME Y14.5M-2009	DRAWN BY	DATE	SCALE	SHEET
			JAD	28MAY1991	2:1	1 OF 1