

southco®

PROPRIETARY ITEM - EXCEPT FOR USES EXPRESSLY GRANTED IN WRITING INFORMATION DISCLOSED HEREON IS CONFIDENTIAL AND ALL RIGHTS PATENT AND OTHERWISE ARE RESERVED BY SOUTHCO, INC.

DRIVE RIVETS $\phi 5/32$
100° COUNTERSUNK HEAD - ALUMINUM RIVET


DATE	DRAWN	CHKD	SCALE	DRAWING NUMBER
11-20-74	PEK		3:1	J-38-505-13

REV	DATE	DRAWN/CHKD	DESCRIPTION	ASSEMBLY	GRIP RANGE			L $\pm .010$
					MIN	NOM	MAX	
A	18NOV2011	CMS/JCK	PRN: P2011-1523					
B	26JAN2021	CMS/CTG	PRN: P2021-0176					
				38-505-04-13	.11	.13	.15	.250
				38-505-05-13	.14	.16	.18	.281
				38-505-06-13	.16	.18	.20	.313
				38-505-07-13	.20	.22	.24	.344
				38-505-08-13	.23	.25	.27	.375
				38-505-09-13	.26	.28	.30	.406
				38-505-10-13	.29	.31	.33	.438
				38-505-11-13	.32	.34	.36	.469
				38-505-12-13	.36	.38	.40	.500
				38-505-13-13	.39	.41	.43	.531
				38-505-14-13	.42	.44	.46	.563
				38-505-15-13	.45	.47	.49	.594
				38-505-16-13	.48	.50	.52	.625
				38-505-17-13	.51	.53	.55	.656
				38-505-18-13	.54	.56	.58	.688
				38-505-19-13	.57	.59	.61	.719
				38-505-20-13	.61	.63	.65	.750

INCHES

TOLERANCES UNLESS OTHERWISE NOTED

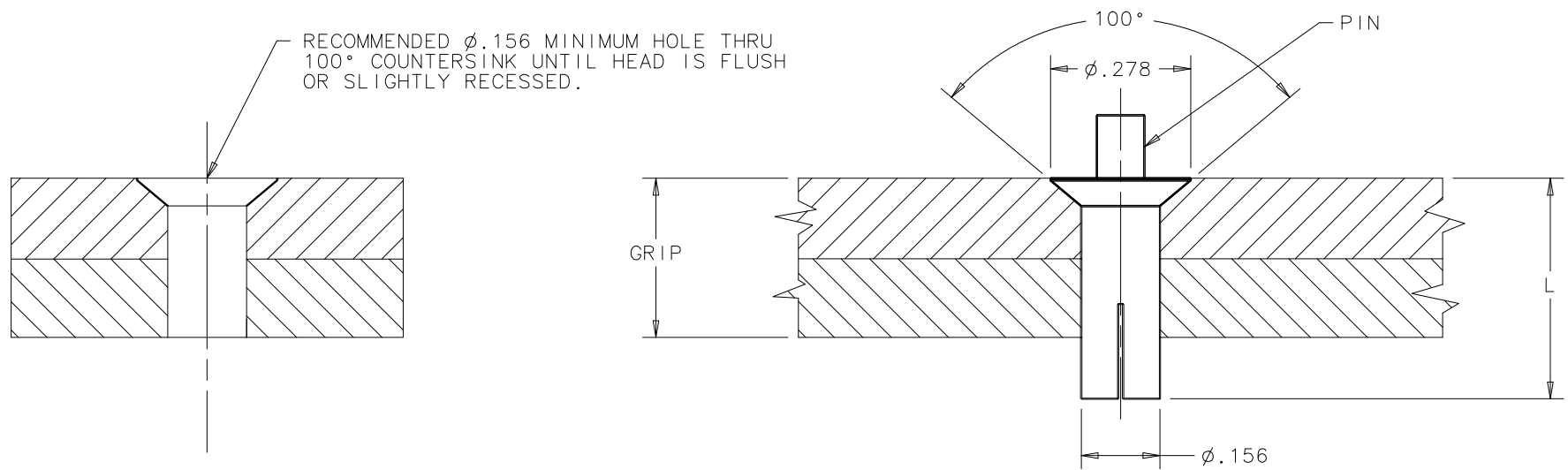
TWO PLACE(.XX) $\pm .01$
THREE PLACE(.XXX) $\pm .005$
ANGLES $\pm 1^\circ$



THIRD ANGLE PROJECTION

A
PAPER
SIZE

- NOTES:
- A. HEAD TO BE CONCENTRIC WITH SHANK WITHIN .015 T.I.R.
 - B. HEAD DIAMETER CAN BE FORMED TO A SHARP EDGE PROVIDING HEAD CAN BE TUMBLED TO DIMENSIONS SHOWN.



PANEL PREP

INSTALLATION

1. INSERT RIVET INTO PREDRILLED HOLE
2. DRIVE PIN INTO RIVET UNTIL PIN IS FLUSH WITH RIVET HEAD